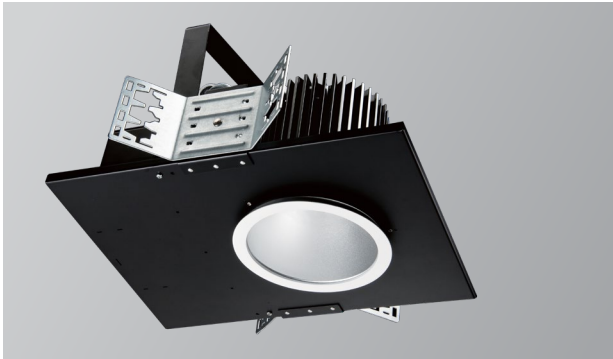


ADVANCED HIGH CEILING

# REV 6 New Construction

## Tunable White Version (ColorFlip™)



6-inch aperture high lumen recessed downlight utilizing Meteor Lighting's proprietary ColorFlip™ Tunable White solution, that results in superior efficacy and heat management. This product is compatible with all existing 0-10V and DMX control systems. Bringing human centric lighting to your spaces.



Quantity		Type	
Project		Note	

### Delivered Lumens\*

ColorFlip™	2700K	3000K	3500K	4000K	4500K	5000K	5700K	6500K	*Lumen Multiplier 40° 60° baseline 0.92
<b>DMX</b> CCT Signal (%)	0%	10%	25%	45%	60%	70%	85%	100%	
<b>0-10V</b> CCT Voltage	0	1	2.5	4.5	6	7	8.5	10	
100W	7555 lm	7980 lm	8415 lm	8841 lm	8771 lm	8692 lm	8613 lm	8544 lm	
80W	6165 lm	6512 lm	6867 lm	7214 lm	7157 lm	7093 lm	7093 lm	6972 lm	
60W	4306 lm	4549 lm	4797 lm	5039 lm	5000 lm	4955 lm	4909 lm	4870 lm	
40W	2992 lm	3160 lm	3332 lm	3501 lm	3473 lm	3442 lm	3411 lm	3383 lm	
<b>CRI</b>	<b>85</b>	<b>86</b>	<b>87</b>	<b>88</b>	<b>88</b>	<b>87</b>	<b>86</b>	<b>85</b>	

### Electrical System

- 40W, 60W, 80W, 100W
- Power Input: 120V or 277V
- Operating Temperature: -40°F~112°F
- Surge Protection: 4KV
- Emergency Pack with Mounting Plate: Bodine
- Power Factor Greater than 0.9BSL20LV

### LED Technology

- ColorFlip™ (Tuning White: 2700K ↔ 6500K)
- 85+ CRI
- Beam Angle: 40°, 60°, 100° (with diffuser)
- Rated Life > 60,000 hours (L70)

### Advanced Dimming

(Proprietary VX Driver is incorporated to all dimming options for video flicker-free lighting)

- Superior 0-10V: dims to 1%
- DMX: high resolution dims to 0.1% (Supports ANSI E1.20 RDM protocol)
- DALI: dims to 10%
- 

### New Construction

- Non-IC Rated, insulation must be kept >1ft from housing.
- Aperture: 6.3" (160mm)
- Oversize Trim: 7.2" (183mm)
- Ceiling Cutout: 6.7" (170mm)
- Maximum Ceiling Thickness: 2" (50.8mm)
- Tool-less top access allows service from above and below.
- Light engine, optics, and driver(s) accessible from below ceiling
- Weight: 13.22 lbs
- \*Note: C-Channel / Mounting Channels / T-Bar Hangers are by others.

### Warranty

- 5 years limited warranty.

### Listing

- ETL Damp Location Listed
- FCC



# REV 6 New Construction

Tunable White Version (ColorFlip™)



## How To Specify:

**Ordering Example: RS6N-100-TNW-UNV-SPV-40-BLK 4-5**

**weeks lead time on over 75% of specifications.**

Model	Wattage	CCT / CRI	Voltage	Dimming
<b>RS6N</b>			<b>UNV</b>	
<b>RS6N</b>	<b>40</b> 40W	<b>TNW</b> 2700K - 6500K	<b>UNV</b> 120-277V	<b>SPV</b> Superior 0-10V dims to 1%
<b>REV 6 inch with</b>	<b>60</b> 60W			<b>DMX</b> DMX dims to 0.1% (XLR Sockets)
<b>New Construction Frame</b>	<b>80</b> 80W			<b>DMX(RJ45)</b> DMX dims to 0.1% (RJ45 Sockets)
	<b>100</b> 100W			<b>DALI*</b> DALI dims to 10%
				* Option not available for 100W.

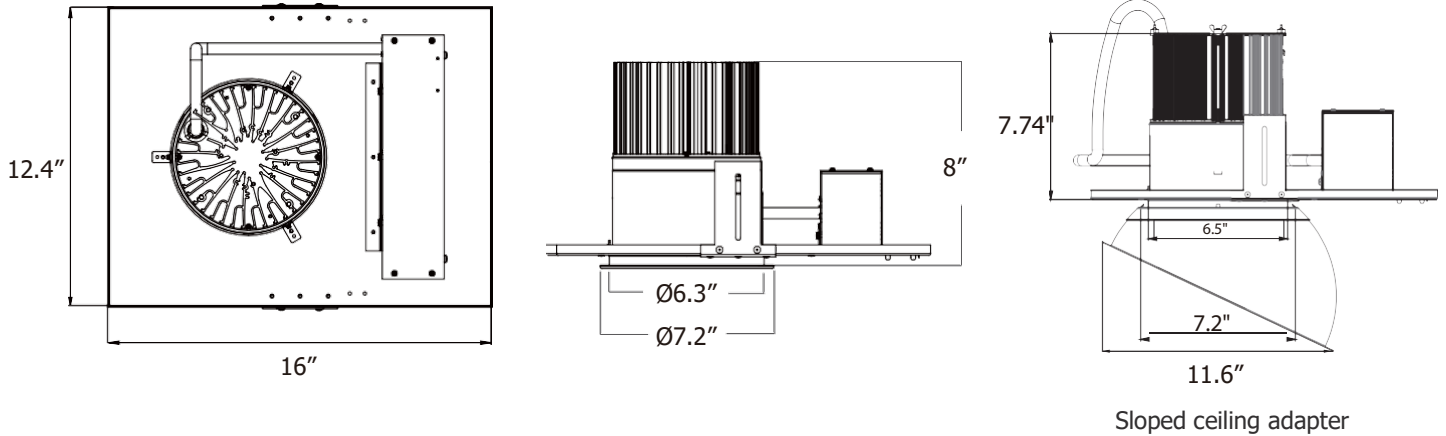
Beam Angle	Finish	Accessories
<b>40</b> 40°	<b>BLK</b> Black	<b>SPD<sup>1</sup></b> Surge Protector
<b>60</b> 60°	<b>WHT</b> White	<b>EMP</b> Remote Emergency Pack
<b>WD*</b> 100° (with diffuser) <sup>o</sup>		<b>DF<sup>3</sup></b> Diffuser
		<b>SCA610</b> Sloped Ceiling Adapter 8°-12°
		<b>SCA615</b> Sloped Ceiling Adapter 13°-17°
		<b>SCA620</b> Sloped Ceiling Adapter 18°-22°
		<b>SCA625</b> Sloped Ceiling Adapter 23°-27°
*Please factor in change in lumen output with diffuser (-20% with WD; -12% with other degrees).		<sup>1</sup> Surge protector for up to 10KV. Applicable for unstable mains or facilities using high power machineries.
		<sup>2</sup> Please factor in change in lumen output with diffuser (-20% with WD; -12% with other degrees).

# REV 6 New Construction

## Tunable White Version (ColorFlip™)



### Dimensions

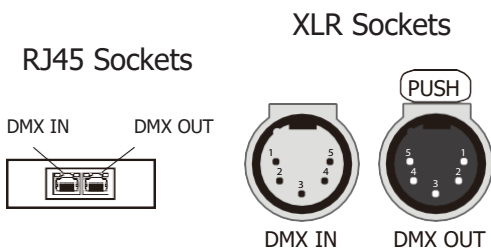


### DMX Requirements\*

The REV 6 LED fixture with DMX unit has TWO CHANNELS per fixture (1 to control intensity, 1 to control color).  
 Fixture will be controlled by DMX number controlling intensity.  
 We do not recommend more than 32 fixtures per DMX daisy chain.  
 When placing order, please indicate DMX address (refer to DMX Address example below).  
 DMX address will be listed on the back of each fixture.

Fixture	DMX Address	
	Intensity Control (ex. X)	Color Control (ex. X+1)
#1	1	2
#2	3	4
#3	5	6

The LED fixture provide RJ45 Socket or XLR socket to connect. (DMX cable NOT included.)  
 The final fixture should be terminated by the use of DMX Terminator (by others).



CONNECTION	RJ45 (CAT5e)	5-PIN XLR
Common	WHITE/BROWN(PIN7) & BROWN(PIN 8)	PIN 1
Signal -	ORANGE(PIN 2)	PIN 2
Signal+	WHITE/ORANGE(PIN 1)	PIN 3
Spare	-	PIN 4
Spare	-	PIN 5

# REV 6 New Construction

## Tunable White Version (ColorFlip™)



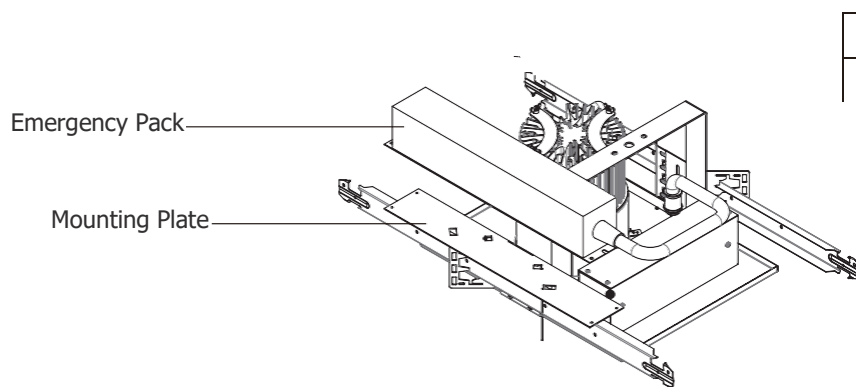
### Compatible DMX Cabling List

DMX uses a cable consisting of two twisted pairs plus a shield to carry data. The cable must be specifically impedance matched for the digital DMX signal, meaning that microphone cable or other non-rated cable **must not be used to carry DMX**. Network cable (Cat5, 5e or 6 cable) may be used to carry DMX in an installation; however special consideration must be given to shielding and termination. Under no circumstances should solid core cable like Cat5 be terminated into a screw down connector.

Meteor recommends the use of Belden 9729 for DMX installation. Belden 9729 is a two pair cable, which allows for a spare pair for 'out and back' type terminations if needed. Below is a list of other compatible Belden cables.

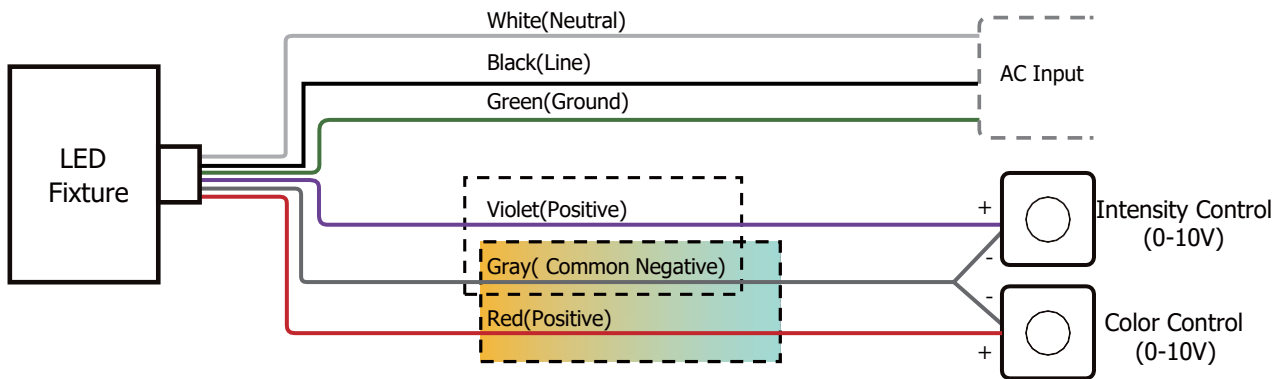
### Mounting Plate for Emergency Pack

### Emergency Pack Lumen Output Table



CCT	6500K
Lumen	2000 lm

### Superior 0-10V Wiring Diagram



### DMX Wiring Diagram

