

Dext Mini 10 - Outdoor/Natatorium



High Lumen Economical Luminaire with 8,130 - 10,500 lumen output.

| Quantity | Type |
|----------|------|
| Project | Note |

Electrical System

- 8560 lm (80W)
- 10500 lm (100W)
- Power Input: Universal (120-277V)
- Operating Temperature: -85°F~120°F
- Surge Protection: standard is 4KV

LED Technology

- 3000K, 4000K, 5000K
- 80 CRI
- Beam Angle: 60°, 100°
- Rated Life > 100,000 Hours (L70)

Advanced Dimming

(Proprietary VX Driver is incorporated to all dimming options for video flicker-free lighting)

- Standard 0-10V: dims to 10%

Housing

- Diameter: Ø9.8"
- Height: 8.3
- Material: High Pressure Die-Cast Aluminum, PC
- Weight: 6.17 lbs

Mounting

- Stem 2ft or 4ft; 45° Swivel Canopy Included
- Adjustable Aircraft Cable 10ft

Warranty

- 5-year limited warranty

Listing

- ETL Damp Location Listed
- IP65



Dext Mini 10 - Outdoor/Natatorium



How to Specify:

Ordering Example: DSM10-100-508-UNV-STV-100-WHT-ST2

| Model | Wattage | CCT / CRI | Voltage | Dimming |
|------------------|-----------------|--------------------------|---------------------|---------------------------------------|
| DSM10 | | | UNV | |
| DSM10 | 80 80W | 308 3000K / CRI85 | UNV 120-277V | NOD Non-Dimming |
| Dext 2.0 Mini 10 | 100 100W | 408 4000K / CRI80 | | STV Standard 0-10V dims to 10% |
| | | 508 5000K / CRI80 | | |

| Beam Angle | Finish | Mounting | Accessories | Rating |
|-----------------|------------------|---|---|--|
| 60 60° | BLK Black | BRK Bracket | SPD ¹ Surge Protector | OUT ¹ Outdoor Rating |
| 100 100° | WHT White | ST2 Stem 2ft ST4 Stem 4ft AD10 Adjustable Cable 10ft | WG ² Wire Guard | NAT ² Natatorium Rating |
| | | | ¹ Surge protector for up to 10KV. Applicable for unstable mains or facilities using high power machineries. ² Please factor in change in lumen output of 14% | ¹ Outdoor rating: Coating and wiring will be changed to high UV resistant and corrosion resistant materials for long term operation in outdoor environments. ² Natatorium rating: Coating and sealant will be changed to high corrosion resistant materials to prevent damage from long term exposure to chlorine vapors. |

Delivered Lumens*

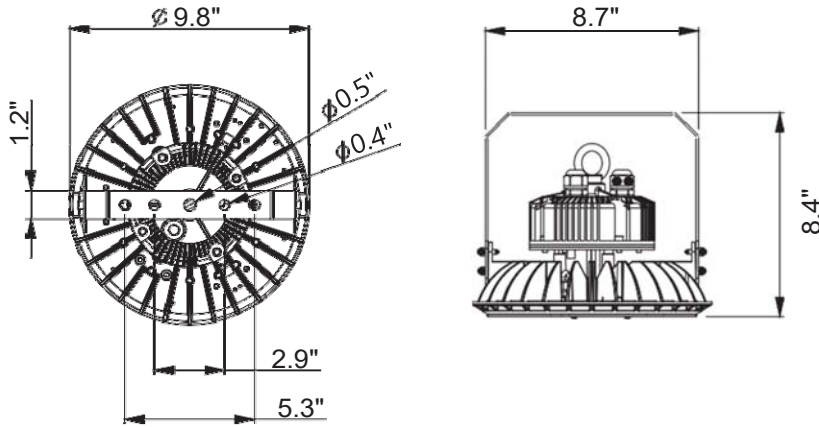
| Wattage | 80W | 100W |
|---------|-----------------|----------|
| CCT | Beam Angle: 60° | |
| 5000K | 8560 lm | 10500 lm |
| 4000K | 8350 lm | 10250 lm |
| 3000K | 8130 lm | 10000 lm |

*Tolerance 8%

Current Consumption

| Wattage \ Volt | 120V | 277V |
|----------------|-------|-------|
| 80W | 0.79A | 0.35A |
| 100W | 1.99A | 0.43A |

Dimensions



Mounting Options

