

ADVANCED HIGH CEILING

# Dext Mini 10 - Standard



High Lumen Economical Luminaire with 8,130 - 10,500 lumen output.

Quantity	Type
Project	Note

### Electrical System

- 8560 lm (80W)
- 10500 lm (100W)
- Power Input: Universal (120-277V)
- Operating Temperature: -85°F~120°F
- Surge Protection: standard is 4KV

### LED Technology

- 3000K, 4000K, 5000K
- 80 CRI
- Beam Angle: 60°, 100°
- Rated Life > 100,000 Hours (L70)

### Advanced Dimming

(Proprietary VX Driver is incorporated to all dimming options for video flicker-free lighting)

- Standard 0-10V: dims to 10%

### Housing

- Diameter: Ø9.8"
- Height: 8.3
- Material: High Pressure Die-Cast Aluminum, PC
- Weight: 6.17 lbs

### Mounting

- Stem 2ft or 4ft; 45° Swivel Canopy Included
- Adjustable Aircraft Cable 10ft

### Warranty

- 5-year limited warranty

### Listing

- ETL Damp Location Listed
- IP65



# Dext Mini 10 - Standard



## How to Specify:

Ordering Example: **DSM10-100-508-UNV-STV-100-WHT-ST2**

Model	Wattage	CCT / CRI	Voltage	Dimming
DSM10			UNV	
DSM10	<b>80</b> 80W	<b>308</b> 3000K / CRI85	<b>UNV</b> 120-277V	<b>NOD</b> Non-Dimming
Dext 2.0 Mini 10	<b>100</b> 100W	<b>408</b> 4000K / CRI80 <b>508</b> 5000K / CRI80		<b>STV</b> Standard 0-10V dims to 10%

Beam Angle	Finish	Mounting	Accessories	Rating
<b>60</b> 60°	<b>BLK</b> Black	<b>BRK</b> Bracket	<b>SPD<sup>1</sup></b> Surge Protector	<b>OUT<sup>1</sup></b> Outdoor Rating
<b>100</b> 100°	<b>WHT</b> White	<b>ST2</b> Stem 2ft <b>ST4</b> Stem 4ft <b>AD10</b> Adjustable Cable 10ft	<b>WG<sup>2</sup></b> Wire Guard	<b>NAT<sup>2</sup></b> Natatorium Rating
			<sup>1</sup> Surge protector for up to 10KV. Applicable for unstable mains or facilities using high power machineries. <sup>2</sup> Please factor in change in lumen output of 14%	<sup>1</sup> Outdoor rating: Coating and wiring will be changed to high UV resistant and corrosion resistant materials for long term operation in outdoor environments. <sup>2</sup> Natorium rating: Coating and sealant will be changed to high corrosion resistant materials to prevent damage from long term exposure to chlorine vapors.

## Delivered Lumens\*

Wattage	80W	100W
CCT	Beam Angle: 60°	
5000K	8560 lm	10500 lm
4000K	8350 lm	10250 lm
3000K	8130 lm	10000 lm

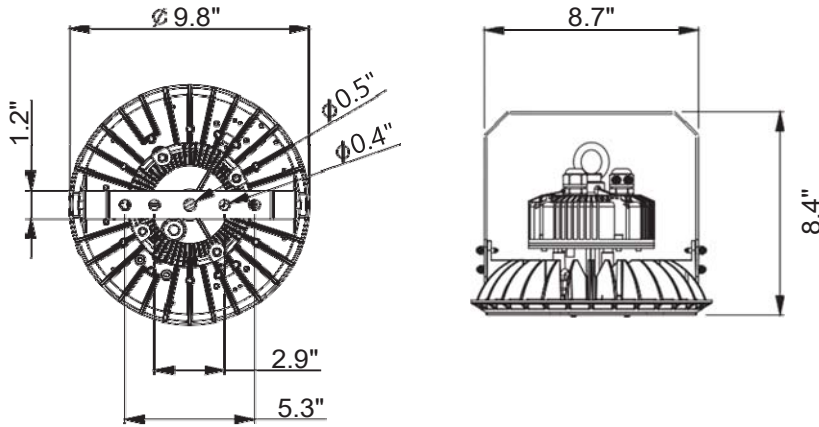
\*Tolerance 8%

## Current Consumption

Wattage \ Volt	120V	277V
80W	0.79A	0.35A
100W	1.99A	0.43A

# Dext Mini 10 - Standard

## Dimensions



## Mounting Options

