

ADVANCED HIGH CEILING

# Dext Mini 12 - Standard



High Lumen Economical Luminaire with 12,200 - 15,750 lumen output.

Quantity		Type	
Project		Note	

## Electrical System

- 12840 lm (120W)
- 15750 lm (150W)
- Power Input: Universal (120-277V)
- Operating Temperature: -85°F~120°F
- Surge Protection: standard is 4KV

## LED Technology

- 3000K, 4000K, 5000K
- 80 CRI
- Beam Angle: 60°, 100°
- Rated Life > 100,000 Hours (L70)

## Advanced Dimming

(Proprietary VX Driver is incorporated to all dimming options for video flicker-free lighting)

- Standard 0-10V: dims to 10%

## Housing

- Diameter: Ø11.8"
- Height: 5.6"
- Material: High Pressure Die-Cast Aluminum, PC
- Weight: 8.37 lbs

## Mounting

- Stem 2ft or 4ft; 45° Swivel Canopy Included
- Adjustable Aircraft Cable 10ft

## Warranty

- 5 year limited warranty

## Listing

- ETL Damp Location Listed
- IP65



# Dext Mini 12 - Standard



## How to Specify:

**Ordering Example: DSM12-150-508-UNV-STV-100-WHT-ST2**

	Wattage		CCT / CRI		Voltage		Dimming	
DSM12					UNV			
DSM12	<b>120</b>	120W	<b>308</b>	3000K / CRI80	<b>UNV</b>	120-277V	<b>NOD</b>	Non-Dimming
Dext 2.0 Mini 12	<b>150</b>	150W	<b>408</b>	4000K / CRI80			<b>STV</b>	Standard 0-10V dims to 10%
			<b>508</b>	5000K / CRI80				

Beam Angle		Finish		Mounting		Accessories		Rating	
<b>60</b>	60°	<b>BLK</b>	Black	<b>BRK</b>	Bracket	<b>SPD<sup>1</sup></b>	Surge Protector	<b>OUT<sup>1</sup></b>	Outdoor Rating
<b>100</b>	100°	<b>WHT</b>	White	<b>ST2</b>	Stem 2ft	<b>WG<sup>2</sup></b>	Wire Guard	<b>NAT<sup>2</sup></b>	Natorium Rating
				<b>ST4</b>	Stem 4ft				
				<b>AD10</b>	Adjustable Cable 10ft				

<sup>1</sup>Surge protector for up to 10KV. Applicable for unstable mains or facilities using high power machineries.  
<sup>2</sup>Please factor in change in lumen output of 14%

<sup>1</sup>Outdoor rating: Coating and wiring will be changed to high UV resistant and corrosion resistant materials for long term operation in outdoor environments.  
<sup>2</sup>Natorium rating: Coating and sealant will be changed to high corrosion resistant materials to prevent damage from long term exposure to chlorine vapors.

## Delivered Lumens\*

Wattage \ CCT	120W	150W
	Beam Angle: 60°	
5000K	12840 lm	15750 lm
4000K	12520 lm	15380 lm
3000K	12200 lm	15000 lm

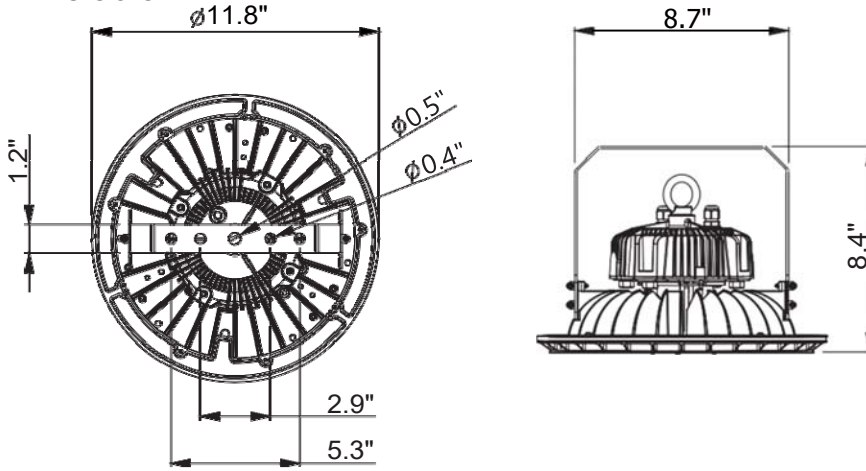
\*Tolerance 8%

## Current Consumption

Wattage \ Volt	120V	277V
	120W	1.20A
150W	1.52A	0.66A

# Dext Mini 12 - Standard

## Dimensions



## Mounting Options

