

Bolt - W+RGB



The all new Bolt series. A transformation for greater heights with new technologies, performance and optics. W+RGB Color changing compatible with a combined lumen package of 22,100 lm.



Quantity	Type
Projec	Note

Electrical System

- 22100 lm (260W) – W+RGB combined
- Power Input: Universal (120-277V); HVT (347-480V)
- Operating Temperature: -40°F~104°F
- Surge Protection: 4 KV

Housing

- Dimensions: 260W: 7.87" (200mm) x 17.68" (449mm) x 11.68" (297mm)
- Material: Die-Cast Aluminum, Tempered Glass
- Weight: 24.25 lbs (BLT-260)

LED Technology

- White: CCT 3000K
- 85 CRI
- White Beam Angle: 30°, 60° and 100° (with diffuser)
- RGB Beam Angle: 100° (Flood)
- Rated Life > 100,000 Hours (L70)

Mounting

- Bracket

Warranty

- 5-year limited warranty

Advanced Dimming

(Proprietary VX Driver is incorporated to all dimming options for video flicker-free lighting)

- DMX: high resolution dims to 0.1% (Supports ANSI E1.20 RDM protocol)

Listing

- UL Damp Location Listed
- FCC
- CE



Bolt - W+RGB



How to Specify:

Ordering Example: BLT-260-308C-UNV-DMX-30-BLK-BRK-WG

4-5 weeks lead time on over 75% of specifications.

Model	Wattage	CCT / CRI	Voltage	Dimming
BLT			UNV	
BLT Bolt Series	260 260W	308C 3000K / CRI85+RGB	UNV 120-277V	DMX DMX dims to 0.1% (XLR Sockets) DMXR(RJ45) DMX dims to 0.1% (RJ45 Sockets)

Beam Angle	Finish	Mounting	Accessories
30 30° 60 60° WD* 100° (with diffuser)	BLK Black WHT White	BRK Bracket	WG ¹ Wire Guard GSB ² Glare Shield Baffle GSV ³ Glare Shield Visor DF ⁴ Diffuser
*Please factor in change in lumen output with diffuser -20% with WD.			¹ Please factor in change in lumen output of -14%. ² Please factor in change in lumen output of -40%. ³ Please factor in change in lumen output of -25%. ⁴ Please factor in change in lumen output of -20%.

Bolt - W+RGB



Delivered Lumens

Wattage	260W	
	Beam Angle: 60°	
CCT		
R	40 W	650 lm
G	40 W	4450 lm
B	40 W	1260 lm
W	140 W	15740 lm

Current Consumption

Wattage	Volt	
	120V	277V
260W	2.39A	1.04A

DMX Requirements

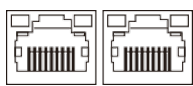
The Bolt fixture with DMX is a FOUR CHANNELS DMX unit.

When placing order, please indicate DMX address. (The DMX address will be listed on the back of the fixture.) The LED fixture provide RJ45 Socket or XLR socket to connect. (DMX cable NOT included.)

The final fixture should be terminated by the use of DMX Terminator (by others).

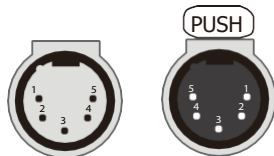
Fixture	DMX Address			
	Red Control (ex. X)	Green Control (ex. X+1)	Blue Control (ex. X+2)	White Control (ex. X+3)
#1	1	2	3	4
#2	5	6	7	8
#3	9	10	11	12

RJ45 Sockets



DMX IN DMX OUT

XLR Sockets



DMX IN DMX OUT

CONNECTION	RJ45 (CAT5e)	5-PIN XLR
Common	WHITE/BROWN(PIN7) & BROWN (PIN 8)	PIN 1
Signal -	ORANGE (PIN 2)	PIN 2
Signal +	WHITE/ORANGE (PIN 1)	PIN 3
Spare	-	PIN 4
Spare	-	PIN 5

Compatible DMX Cabling List

DMX uses a cable consisting of two twisted pairs plus a shield to carry data. The cable must be specifically impedance matched for the digital DMX signal, meaning that microphone cable or other non-rated cable **must not be used to carry DMX**. Network cable (Cat5, 5e or 6 cable) may be used to carry DMX in an installation; however special consideration must be given to shielding and termination. Under no circumstances should solid core cable like Cat5 be terminated into a screw down connector.

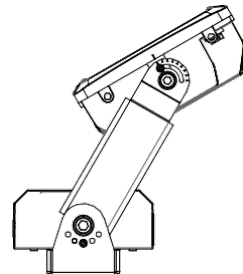
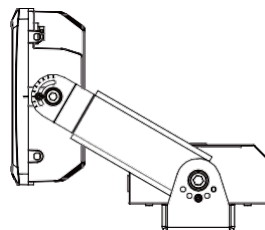
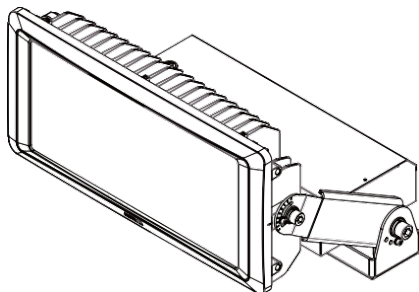
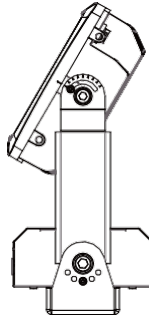
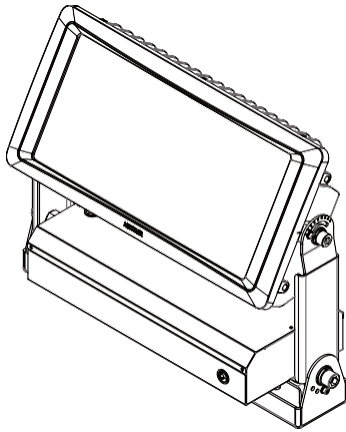
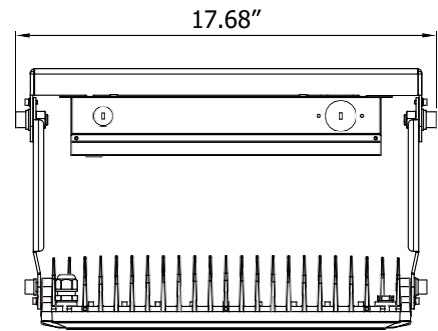
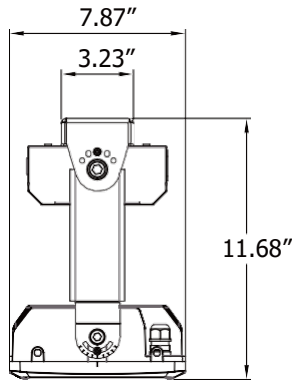
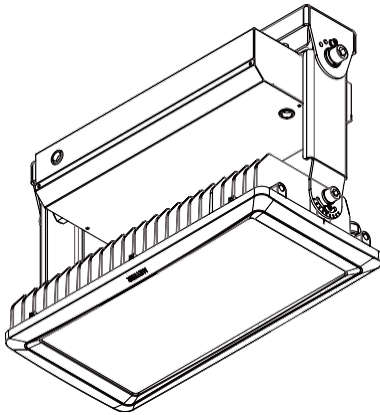
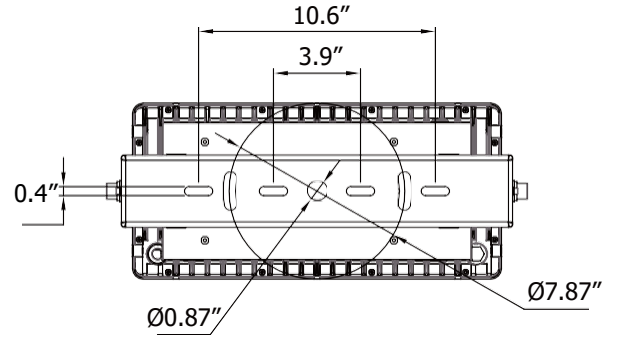
Meteor recommends the use of Belden 9729 for DMX installation. Belden 9729 is a two pair cable, which allows for a spare pair for 'out and back' type terminations if needed. Below is a list of other compatible Belden cables.

Bolt - W+RGB



Dimensions

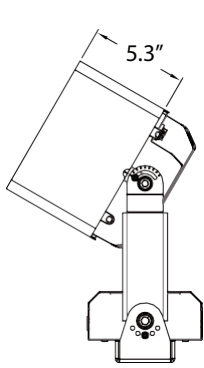
260W



Bolt - W+RGB

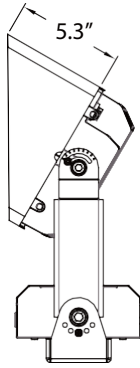


Accessory



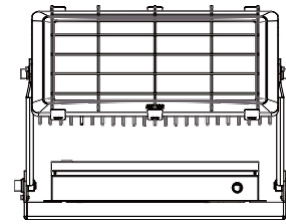
260W

Glare Shield Baffle



260W

Glare Shield Visor



260W

Wire Guard