

Bolt Mini - Standard



The all new Bolt Mini. A transformation for greater heights with new technologies, performance and optics. This mini version is compact, yet boasts a lumen package range of 6,930 lm – 26,295 lm, and is available in Outdoor and Natatorium rated options. The Bolt Mini is perfect for a variety of project applications such as convention centers, multifunctional spaces, sports facilities, and others.

Quantity	Type
Project	Note

Electrical System

- 7,780 lm (60W)
- 11,850 lm (100W)
- 21,330 lm (150W)
- 26,295 lm (200W)
- Power Input: Universal (120-277V); HVT (347-480V)
- Operating Temperature: -40°F~104°F
- Surge Protection: 10 KV

Housing

- Dimensions:
 - 60W: 4.14" (105mm) x 11" (279mm) x 9.06" (230mm)
 - 100W: 4.14" (105mm) x 11" (279mm) x 9.06" (230mm)
 - 120W: 8.60" (218mm) x 17.68" (499mm) x 9.27" (235mm)
 - 150W: 8.60" (218mm) x 17.68" (499mm) x 9.27" (235mm)
- Material: Die-Cast Aluminum, Tempered Glass
- Weight: 9.7 lbs (BLT-60/100) / 14.6 lbs (BLT-150/200)

LED Technology

- 3000K, 4000K, 5000K
- 85 CRI, 75 CRI
- Beam Angle: 30°, 60° and 100° (with diffuser)
- Rated Life > 100,000 Hours (L70)

Mounting

- Bracket

Warranty

- 5-year limited warranty

Advanced Dimming

(Proprietary VX Driver is incorporated to all dimming options for video flicker-free lighting)

- Standard 1-10V: dims to 10%

Listing

- UL Damp Location Listed
- DLC Listed
- FCC
- CE



Not all Bolt Series are DLC qualified. For all qualified products. Please visit: www.designlights.org/ql

Bolt Mini - Standard



How to Specify:

Ordering Example: BLTM-200-507-UNV-STV-15-BLK-BRK-WG

4-5 weeks lead time on over 75% of specifications.

Model	Wattage	CCT / CRI	Voltage	Dimming
BLTM			UNV	
BLTM	60 60W	308 3000K / CRI85	UNV 120-277V	STV Standard 1-10V dims to 10%
Bolt Mini Series	100 100W	408 4000K / CRI85		
	150 150W	507 5000K / CRI75		
	200 200W			

Beam Angle	Finish	Mounting	Accessories
30 30°	BLK Black	BRK Bracket	WG¹ Wire Guard
60 60°	WHT White		GSB² Glare Shield Baffle
WD* 100° (with diffuser)			GSV³ Glare Shield Visor
			DF⁴ Diffuser
			SLP* Slipfitter (Black only)
*Please factor in change in lumen output with diffuser -20% with WD.			¹ Please factor in change in lumen output of -14%. ² Please factor in change in lumen output of -40%. ³ Please factor in change in lumen output of -25%. ⁴ Please factor in change in lumen output of -20% with diffuser.

DesignLights Consortium™ Qualified Luminaires:

DLC QPL Model Number: BLT-560-50K, BLT-150-CCT-UNV, BLT-220-CCT-UNV, BLT-280-CCT-UNV

Not all product variations listed on this page are DLC qualified.

To ensure that a specific model is qualified, visit www.designlights.org/search.

Bolt Mini - Standard



Delivered Lumens*

Wattage \ CCT	60W	100W	150W	200W
	Beam Angle: 15°			
5000K	7780	11850	21330	26295
4000K	7170	10990	19125	23990
3000K	6930	10535	18355	22950

* Tolerance ± 8%

Current Consumption

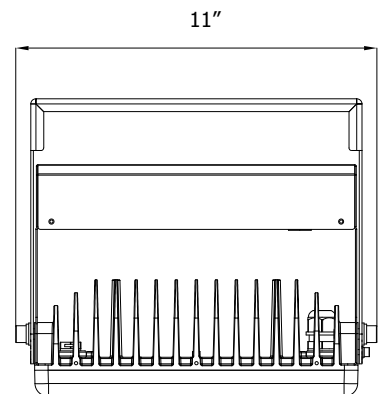
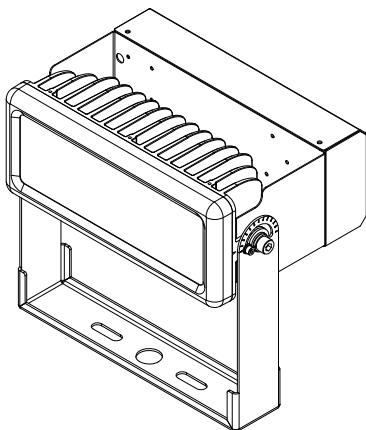
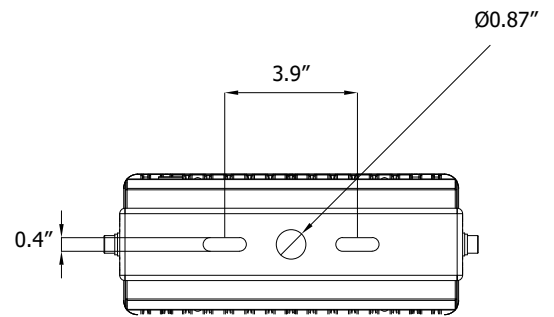
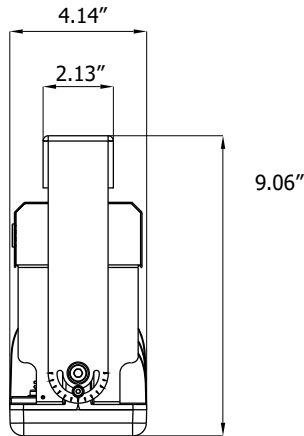
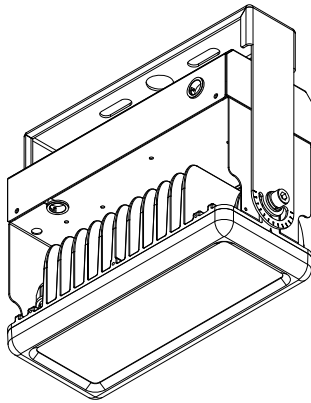
Wattage \ Volt	120V	277V
60W	0.55A	0.22A
100W	0.92A	0.40A
150W	1.38A	0.60A
200W	1.83A	0.80A

Bolt Mini - Standard



Dimensions

60W / 100W

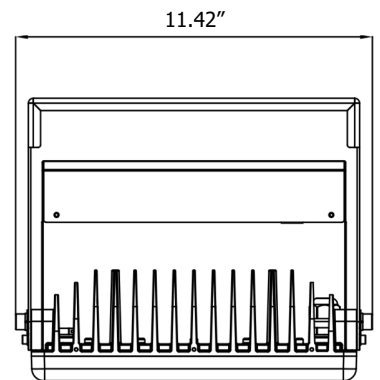
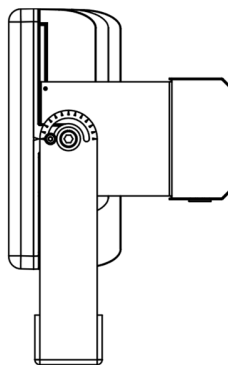
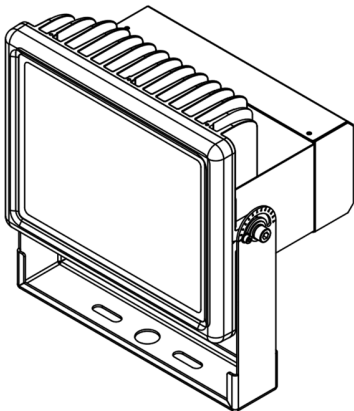
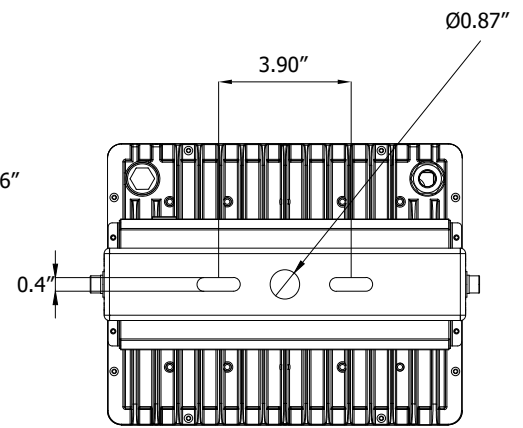
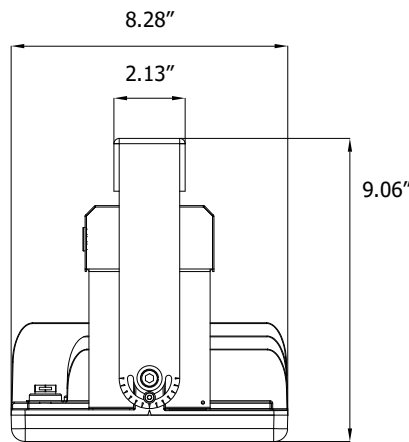
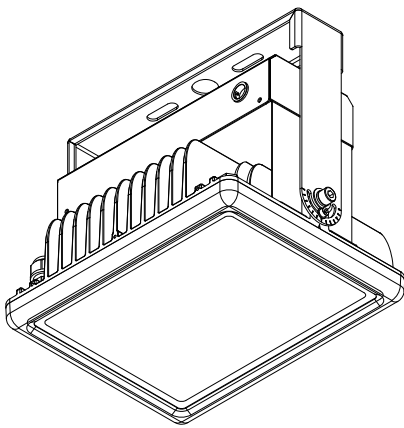


Bolt Mini - Standard



Dimensions

150W / 200W



Bolt Mini - Standard

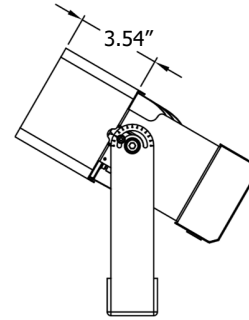
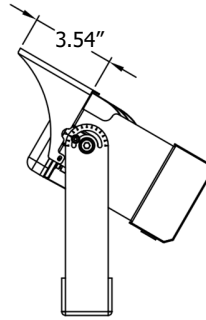


Accessory

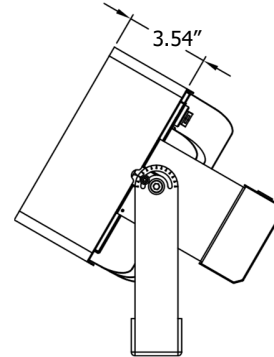
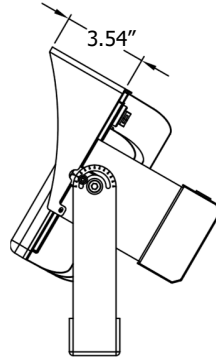
60W / 100W

150W / 200W

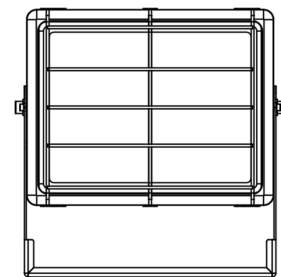
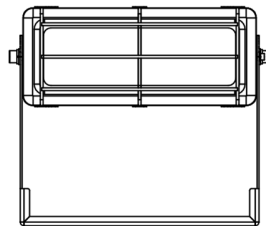
Glare Shield Baffle



Glare Shield Visor



Wire Guard



Bolt Mini - Standard



60W / 100W

150W / 200W

Slipfitter

