

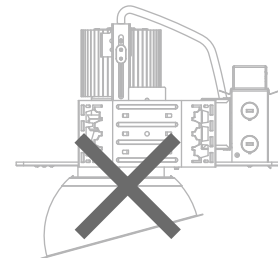
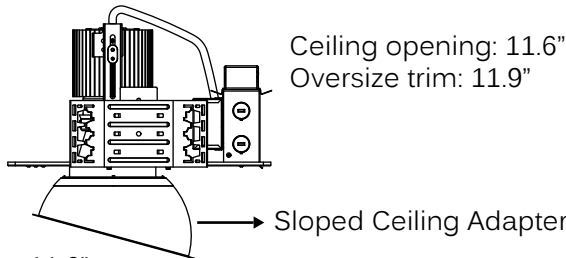
ADVANCED HIGH CEILING REV 4 - Sloped Ceiling Adapter



IMPORTANT SAFETY INFORMATION. READ AND FOLLOW ALL SAFETY INSTRUCTIONS

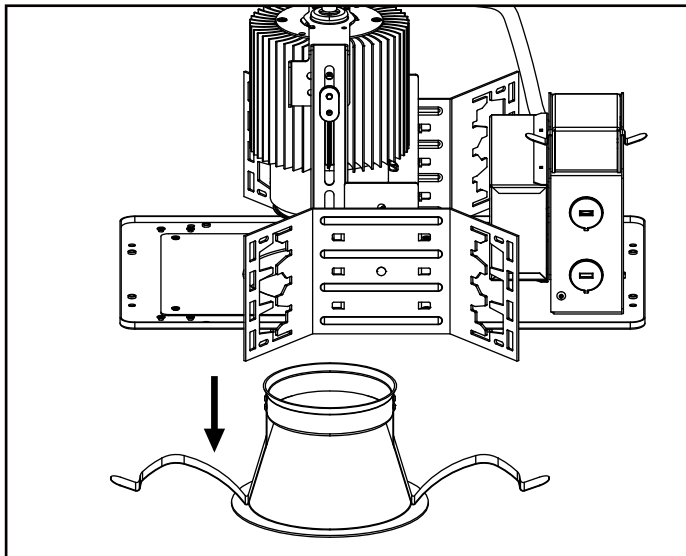
IMPORTANT SAFETY INFORMATION. READ AND FOLLOW ALL SAFETY INSTRUCTIONS. Before wiring to power supply and during servicing or relamping, turn off power at fuse or circuit breaker. All servicing or relamping must be performed by qualified service personnel. Product must be grounded to avoid potential electric shock or other potential hazard. Product must be at locations and at heights and in a manner consistent with its intended use, and in compliance with Electrical Code and local codes.

SAVE THESE INSTRUCTIONS FOR FUTURE REFERENCE.



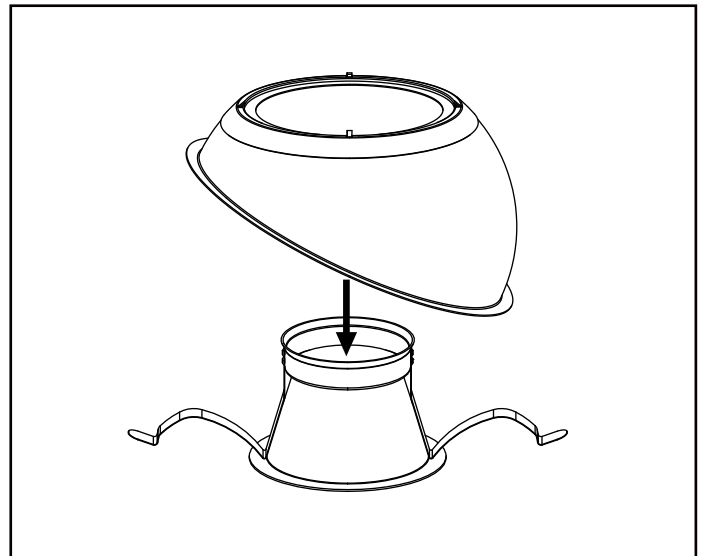
Ceiling opening: 11.6"

Cut 11.6" opening in ceiling for sloped ceiling adapter
(same center as fixture frame opening)



Step 1

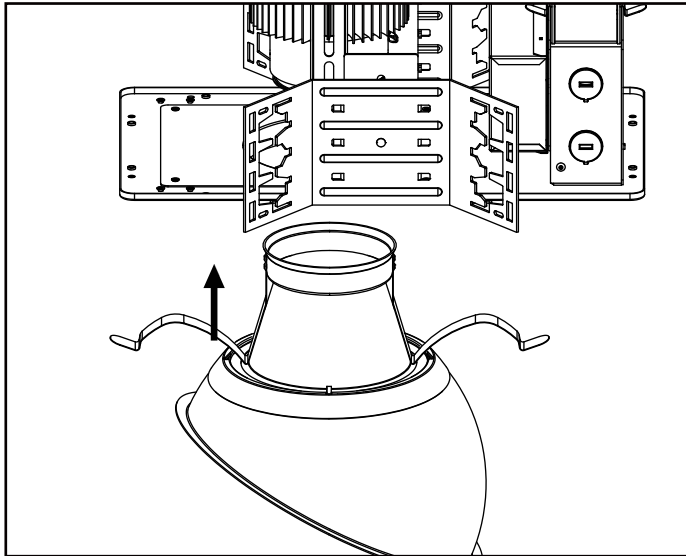
Detach trim and reflector from the fixture.



Step 2

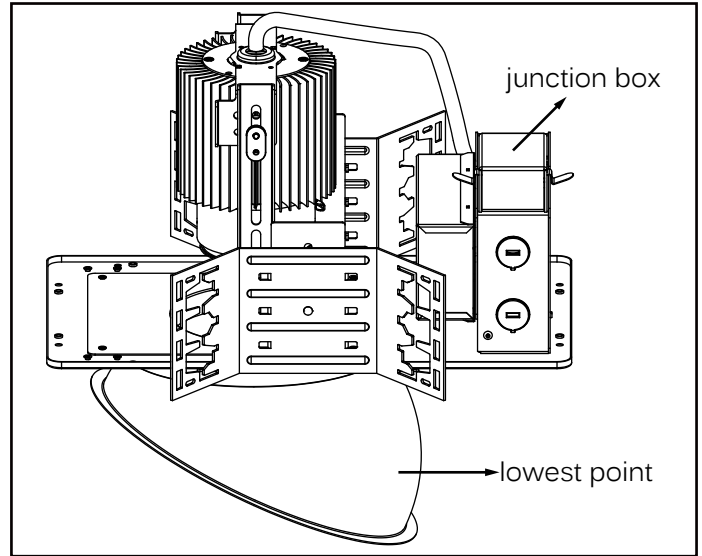
Attach the sloped ceiling adapter over the trim and reflector.

ADVANCED HIGH CEILING REV 4 - Sloped Ceiling Adapter



Step 3

Push the trim and reflector back into the fixture by clasp-
ing the two fasteners on either side



Step 4

Align the fixture frame correctly on the slope ceiling
adapter such that the junction box side is pointing
towards the side where the slope is at the lowest
point.