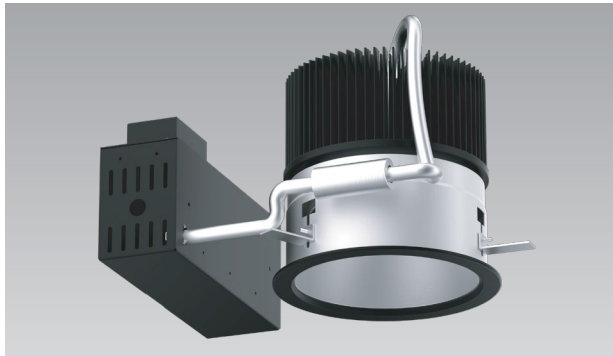


# REV8 Prime - Retrofit



8-inch aperture high lumen recessed downlight with lumen output 18972 - 24867lm for new and retrofit applications.

- **Tunable White**  
(Please refer to Tunable White Version spec sheet)
- **Warm Dim**  
(Please refer to Warm Dim Version spec sheet)
- **W+RGB**  
(Please refer to W+RGB Version spec sheet)

Quantity	Type
Project	Note

## Electrical System

- 21204 lm (185W)
- 24867 lm (225W)
- Power Input: 120V or 277V
- Operating Temperature: -40°F~112°F
- Surge Protection: 4KV

## LED Technology

- 2700K, 3000K, 3500K, 4000K
- 85 CRI
- Beam Angle: 30°, 45°, 55°, 100° (with diffuser)
- Rated Life > 60,000 hours (L70)

## Advanced Dimming

(Proprietary VX Driver is incorporated to all dimming options for video flicker-free lighting)

- **Superior 0-10V** : dims to 1%
- **DMX** : high resolution dims to 0.1%  
(Supports ANSI E1.20 RDM protocol)

- **185W only**
- **LTE: Hi-Lume 1% 2-wire LED Driver (120V forward phase only)**
- **LDE1: Hi-Lume 1% EcoSystem LED Driver with Soft-on, Fade-to-Black (UNV only)**

## Retrofit

- Non-IC Rated, insulation must be kept >1ft from housing.
- Aperture: 8.1" (207mm)
- Opening of Mounting Frame: 8.03" (204mm) to 9.0" (228mm) Max
- Oversize Trim: 9.13" (232mm)
- Maximum ceiling thickness: 1.5" (38mm)
- Tool-less top access allows service from above and below.
- Light engine, optics, and driver(s) accessible from below ceiling
- Weight: 16.13lbs
- Goof Ring 14": Aluminum, standard white finish; O. D. 16"; other size and finish available, please inquire

## Warranty

- 5 years limited warranty.

## Listing

- ETL Damp Location Listed
- FCC



# REV8 Prime - Retrofit



## How To Specify:

**Ordering Example: R8PR-185-278-120-DMX-WD-WHT 4-5**

**weeks lead time on over 75% of specifications.**

Model	Wattage	CCT / CRI	Voltage	Dimming
<b>R8PR</b>			UNV	
R8PR	<b>185</b> 185W	<b>278</b> 2700K / CRI85	<b>120</b> 120V	<b>NOD</b> Non-Dimming
REV 8 inch Prime	<b>225</b> 225W	<b>308</b> 3000K / CRI85	<b>277</b> 277V	<b>SPV</b> Superior 0-10V dims to 1%
Retrofit		<b>358</b> 3500K / CRI85		<b>DMX</b> DMX dims to 0.1% (XLR Sockets)
		<b>408</b> 4000K / CRI85		<b>DMX(RJ45)</b> DMX dims to 0.1% (RJ45 Sockets)
				<b>LTE<sup>1</sup></b> Hi-Lume 1% 2-wire LED Driver (120V forward phase only)
				<b>LDE1<sup>1</sup></b> Hi-Lume 1% EcoSystem LED Driver with Soft-on, Fade-to-Black (UNV only)
<sup>1</sup> Option is ONLY compatible to 185W				

Beam Angle	Finish	Accessories
<b>30</b> 30°	<b>BLK</b> Black	<b>DF<sup>1</sup></b> Diffuser
<b>45</b> 45°	<b>WHT</b> White	<b>SPD<sup>2</sup></b> Surge Protector
<b>55</b> 55°		<b>GR12<sup>2</sup></b> Goof Ring 9.2" to 14"
<b>WD<sup>1</sup></b> 100° (with diffuser)		<b>GR14<sup>3</sup></b> Goof Ring 9.2" to 16"
<sup>1</sup> Please factor in change in lumen output with diffuser (-20% with WD; -12% with other degrees).		<sup>1</sup> Please factor in change in lumen output with di_user (-20% with WD; -12% with other degrees).
		<sup>2</sup> Surge protector for up to 10KV. Applicable for unstable mains or facilities using high power machineries.
		<sup>3</sup> Includes New Reflector.

# REV8 Prime - Retrofit



## Delivered Lumens\*

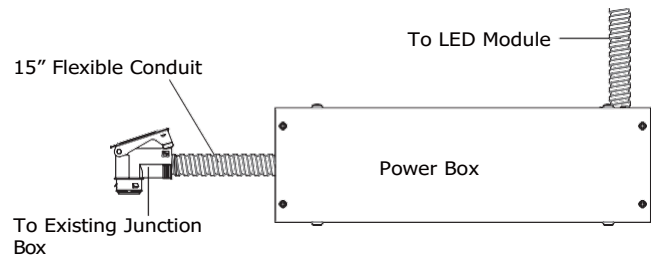
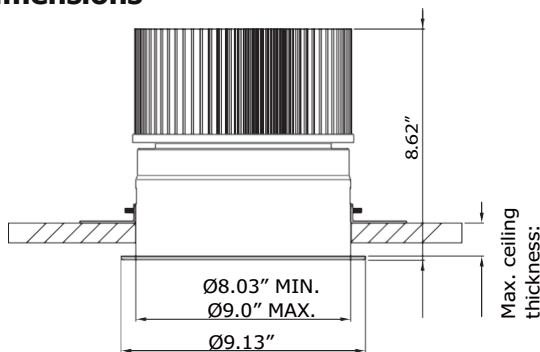
CCT	Wattage	
	185W	225W
	Beam Angle: 30°	
4000K	21204 lm	24867 lm
3500K	20646 lm	24212 lm
3000K	20088 lm	23558 lm
2700K	18972 lm	22249 lm

\*Tolerance±8%

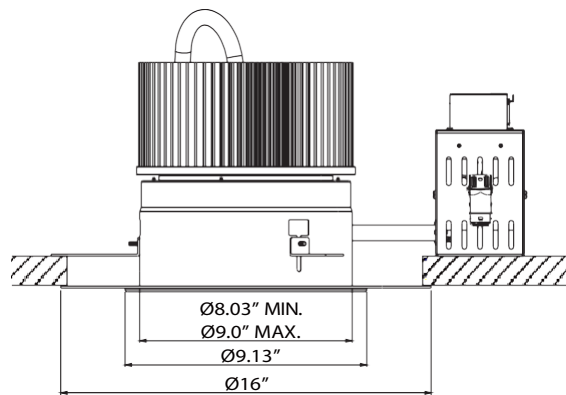
## Current Consumption

Wattage	Volt	
	120V	277V
185W	1.65A	0.71A
225W	2.02A	0.87A

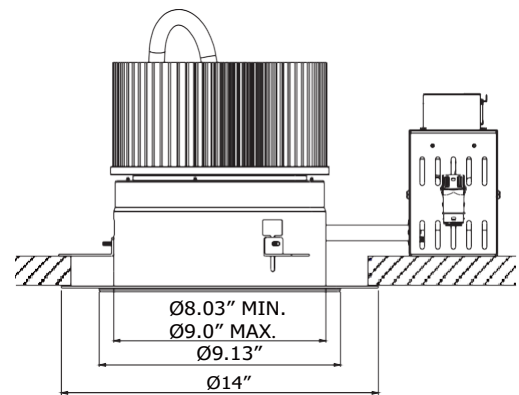
## Dimensions



## Goof Ring



GR14



GR12

# REV8 Prime - Retrofit



## DMX Requirements

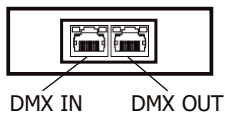
The 8" REV LED fixture with DMX is a ONE CHANNEL DMX unit.

When placing order, please indicate DMX address. (The DMX address will be listed on the back of the fixture.)

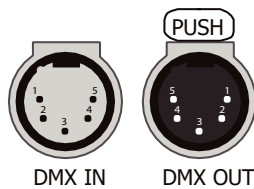
The LED fixture provide RJ45 Socket or XLR socket to connect. (DMX cable NOT included.)

The final fixture should be terminated by the use of DMX Terminator (by others).

### RJ45 Sockets



### XLR Sockets



CONNECTION	RJ45 (CAT5e)	5-PIN XLR
Common	WHITE/BROWN(PIN7) & BROWN(PIN 8)	PIN 1
Signal -	ORANGE(PIN 2)	PIN 2
Signal +	WHITE/ORANGE(PIN 1)	PIN 3
Spare	-	PIN 4
Spare	-	PIN 5

## Compatible DMX Cabling List

DMX uses a cable consisting of two twisted pairs plus a shield to carry data. The cable must be specifically impedance matched for the digital DMX signal, meaning that microphone cable or other non-rated cable **must not be used to carry DMX**. Network cable (Cat5, 5e or 6 cable) may be used to carry DMX in an installation; however special consideration must be given to shielding and termination. Under no circumstances should solid core cable like Cat5 be terminated into a screw down connector.

Meteor recommends the use of Belden 9729 for DMX installation. Belden 9729 is a two pair cable, which allows for a spare pair for 'out and back' type terminations if needed. Below is a list of other compatible Belden cables.

## Compatible LTE Dimmer List

LUTRON PART NO

RRD-6NA-	RRT-G5NEW-	RRT-GH	HQRD-10ND-	HQRT-GH	HQRD-HN	PD-10NXD-
RRD-6ND	RRT-G25LW-	HQRD-6NA-	MRF2-6ND-120-	HQRT-G25LW-	GT-250M-	PD-5NE-
RRD-10ND-	RRD-HN	HQRD-6ND-	MRF2S-6ND-120-	HQRT-G5NEW-	GTJ-250M-	