

# Signum 10 - Standard



10-inch aperture high lumen 10 signum with lumen output 6220 – 9800lm.



Quantity	Type
Project	Note

## Electrical System

- 8590lm (85W)  
9800lm (110W)
- Power Input: Universal (120-277V)
- Operating Temperature: -13°F~112°F
- Surge Protection: 4KV
- Power Factor Greater than 0.9
- Remote Emergency Pack: Bodine BSL20LV

## LED Technology

- 2700K, 3000K, 3500K, 4000K, 5000K
- 85 CRI
- Beam Angle: 25°, 40°, 60°, 100°
- Rated Life > 60,000 Hours (L70)

## Advanced Dimming

(Proprietary VX Driver is incorporated to all dimming options for video flicker-free lighting)

- **Standard 0-10V** dims to 10%
- **DMX:** high resolution dims to 0.1% (Supports ANSI E1.20 RDM protocol)
- **Superior 0-10V:** dims to 1%

### 85W only:-

- **LTE :** Hi-Lume 1% 2-wire LED Driver (120V forward phase only)
- **LDE1 :** Hi-Lume 1% EcoSystem LED Driver with Soft-on, Fade-to-Black (UNV only)

## Housing

- Diameter: 9.84" (250mm)
- Height: 10.83" (275mm)
- Material: Steel, Aluminum
- Weight: 85W / 16.53 lbs, 110W / 17.19 lbs

## Mounting

- Surface Mount
- Stem 2ft, 4ft; 45° Swivel Canopy Included
- Adjustable Aircraft Cable 10ft
- Wall Mount
- Yoke Mount

## Warranty

- 5 year limited warranty

## Listing

- ETL Damp Location Listed
- DLC Listed
- CE



Not all Signum 10 are DLC qualified. For all qualified products. Please visit: [www.designlights.org/qpl](http://www.designlights.org/qpl)

# Signum 10 - Standard



## How To Specify:

**Ordering Example: SS10-110-358-UNV-SPV-40-BLK-AD10**

**4-5 weeks lead time on over 75% of specifications.**

Model	Wattage	CCT / CRI	Voltage	Dimming
<b>SS10</b>			<b>UNV</b>	
SS10	<b>85</b> 85W	<b>278</b> 2700K / CRI85	<b>UNV</b> 120-277V	<b>STV</b> STV Standard 0-10V dims to 10%
Signum 10	<b>110</b> 110W	<b>308</b> 3000K / CRI85		<b>SPV</b> Superior 0-10V dims to 1%
		<b>358</b> 3500K / CRI85		<b>DMX</b> DMX dims to 0.1% (XLR Sockets)
		<b>408</b> 4000K / CRI85		<b>DMX(RJ45)</b> Hi-Lume 1% 2-wire LED Driver
		<b>508</b> 5000K / CRI85		<b>LTE<sup>1</sup></b> (120V forward phase only)
				<b>LDE1<sup>1</sup></b> Hi-Lume 1% EcoSystem LED Driver with Soft-on, Fade-to-Black (UNV only)
				<sup>1</sup> Available for 85W only.

Beam Angle	Finish	Mounting	Accessories
<b>25</b> 25°	<b>BLK</b> Black	<b>SUM</b> Surface Mount	<b>SPD<sup>2</sup></b> Surge Protector
<b>40</b> 40°	<b>WHT</b> White	<b>ST2</b> Stem 2ft	<b>EMP</b> Remote Emergency Pack
<b>60</b> 60°		<b>ST4</b> Stem 4ft	<b>CB<sup>2</sup></b> Cross Baffle
<b>WD</b> 100°		<b>AD10</b> Adjustable Aircraft Cable 10ft	<b>HC<sup>2</sup></b> Honey Comb
		<b>WLM</b> Wall Mount	
		<b>YKM</b> Yoke Mount	
<sup>1</sup> Surge protector for up to 10KV. Applicable for unstable mains or facilities using high power machineries. <sup>2</sup> Please factor in change in lumen output of -30%.			

### DesignLights Consortium™ Qualified Luminaires:

DLC QPL Model Number : SS10-85-358-UNV  
 Not all product variations listed on this page are DLC qualified.  
 To ensure that a specific model is qualified, visit [www.designlights.org/search](http://www.designlights.org/search).

### Delivered Lumens\*

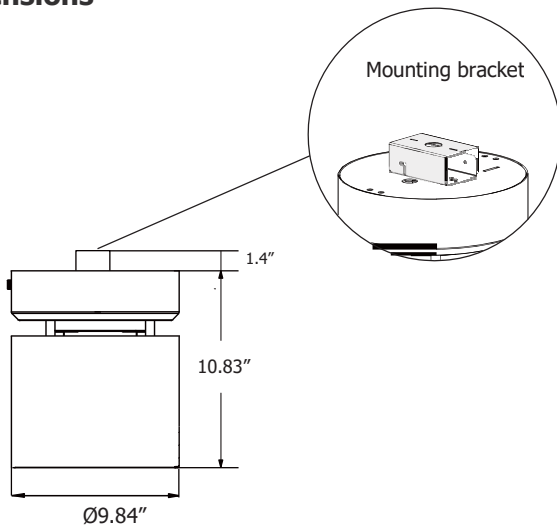
CCT	Wattage	
	SS10-85	SS10-110
	Beam Angle: 40°	Beam Angle: 60°
5000K	8590 lm	9800 lm
4000K	7600 lm	8890 lm
3500K	7000 lm	8440 lm
3000K	6730 lm	7760 lm
2700K	6220 lm	7430 lm

### Current Consumption

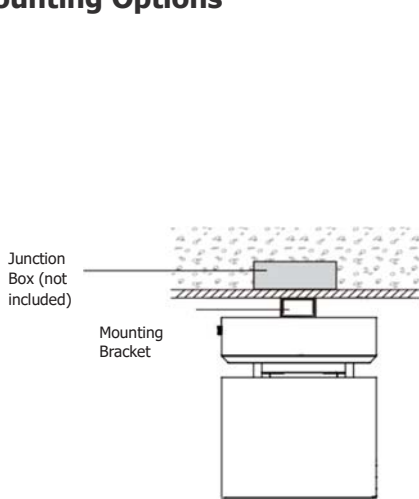
Wattage	Volt	
	120V	277V
85W	0.87A	0.38A
110W	1.11A	0.48A

\*Tolerance±8%

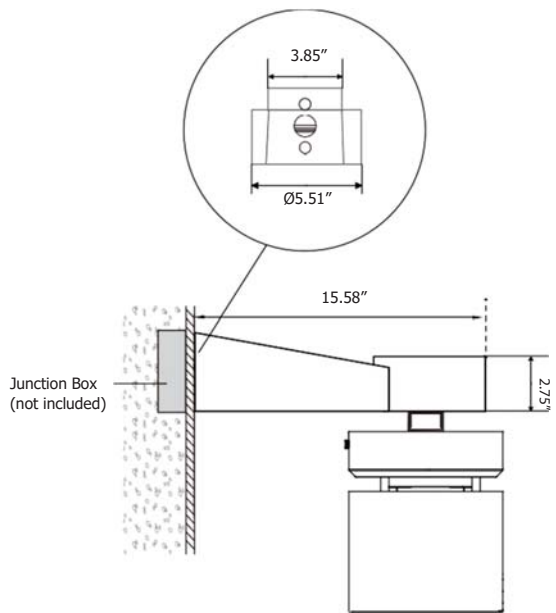
### Dimensions



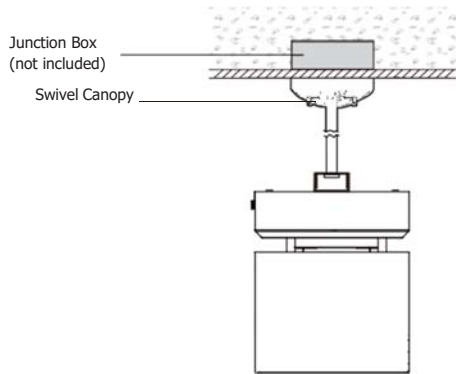
## Mounting Options



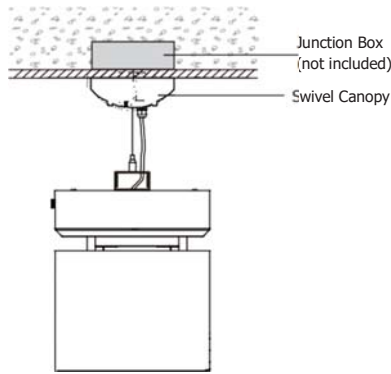
Surface Mount



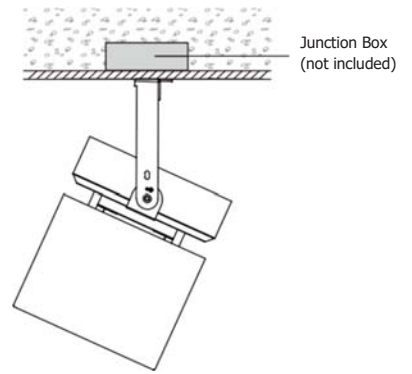
Wall Mount



Stem



Adjustable Aircraft Cable



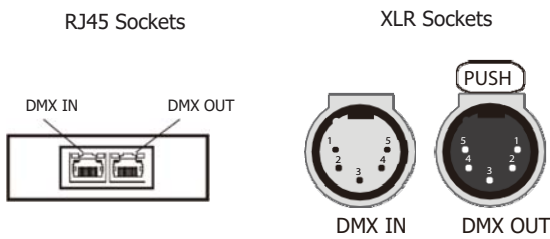
Yoke Mount

## DMX Requirements\*

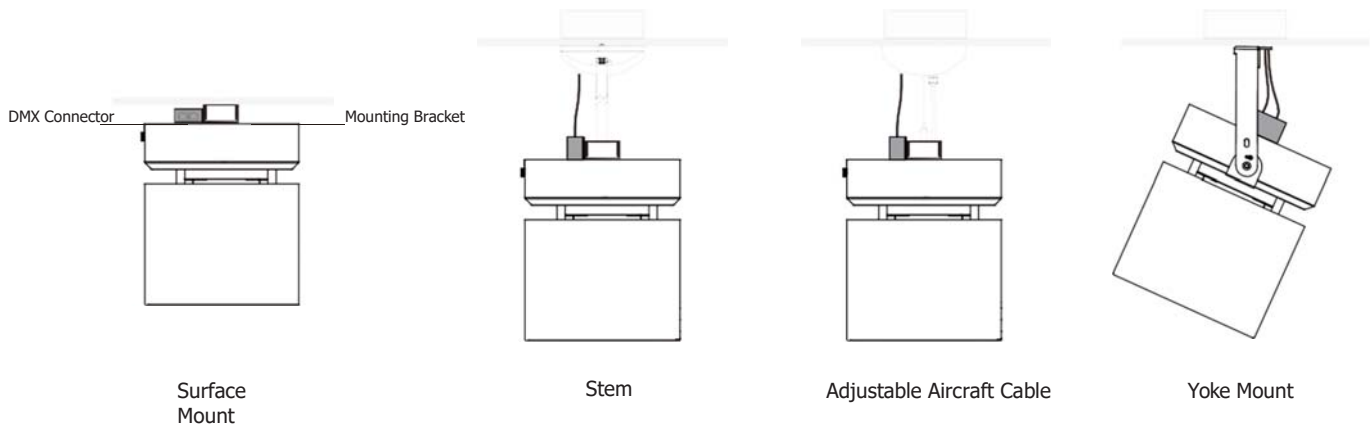
The Signum 10 LED fixture with DMX is a ONE CHANNEL DMX unit.

**When placing order, please indicate DMX address.** (The DMX address will be listed on the back of the fixture.) The LED fixture provide RJ45 Socket or XLR socket to connect. (DMX cable NOT included.)

The final fixture should be terminated by the use of DMX Terminator (by others).



CONNECTION	RJ45 (CAT5e)	5-PIN XLR
Common	WHITE/BROWN(PIN7) & BROWN(PIN 8)	PIN 1
Signal -	ORANGE(PIN 2)	PIN 2
Signal +	WHITE/ORANGE(PIN 1)	PIN 3
Spare	-	PIN 4
Spare	-	PIN 5



## Compatible LTE Dimmer List

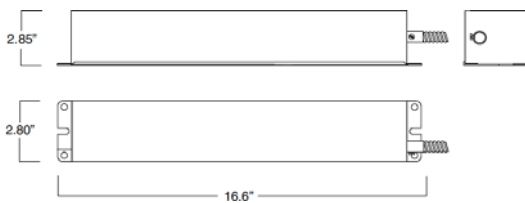
### LUTRON PART NO.

RRD-6NA-	RRT-G5NEW-	RRT-GH	HQRD-10ND-	HQRT-GH	HQRD-HN	PD-10NXD-
RRD-6ND	RRT-G25LW-	HQRD-6NA-	MRF2-6ND-120-	HQRT-G25LW-	GT-250M-	PD-5NE-
RRD-10ND-	RRD-HN	HQRD-6ND-	MRF2S-6ND-120-	HQRT-G5NEW-	GTJ-250M-	

# Signum 10 - Standard



## Remote Emergency Pack



## Emergency Pack Lumen Output Table

CCT	2700K	3000K	4000K	5000K
Lumen	1640 lm	1760 lm	1890 lm	1950 lm

Mounting with standard ceiling recessed Junction BOX

