

ADVANCED HIGH CEILING

# Tetriss 2.0 - Outdoor/Natatorium



High-performing modular luminaire with lumen output 16600-60300lm for replacement of up to 1500W Metal Halide.

**- Outdoor/Natatorium Rating**

Special coating, sealant, and wiring is applied for long term operation in harsh environments.

**- Standard version available**

**(Please refer to Standard Version spec sheet)**

Quantity	Type
Project	Note

### Electrical System

- 20100 lm (200W)
- 40200 lm (400W)
- 60300 lm (600W)
- Power Input: Universal (120-277V); HVT (347-480V)
- Operating Temperature: -

### Housing

- Material: Aluminum, Tempered Glass
- Weight: 200W / 18lbs, 400W / 37.48lbs, 600W /

### Mounting

- Bracket Mount
- (AC/Dimming cable length: Standard /

### LED Technology

- 3000K, 4000K , 5000K
- 75 CRI, 85 CRI
- Beam Angle: 25°, 40°, 60°
- Rated Life > 60,000 hours (L70)

### EPA

- TSW-200: 1.21 ft2 / TSW-400: 2.12 ft2 / 600: 2.69 ft2

### Warranty

- 5 years limited warranty.

### Advanced Dimming

(Proprietary VX Driver is incorporated to all dimming options for video flicker-free light)

- Standard 0-10V dims to 10%

### Listing

- ETL Wet Location Listed
- Natatorium Rating (optional)
- IP65 Outdoor Rating (optional)
- CE



# Tetriss 2.0 - Outdoor/Natatorium



## How To Specify:

**Ordering Example: TSW-400-507-UNV-STV-25-BLK-BRK-OUT**

Model	Wattage	CCT / CRI	Voltage	Dimming
<b>TSW</b>			UNV	
<b>TSW</b> Tetriss Solid White	<b>200</b> 200W <b>400</b> 400W <b>600</b> 600W	<b>308</b> 3000K / CRI85 <b>408</b> 4000K / CRI85 <b>507</b> 5000K / CRI75	<b>UNV</b> 120-277V <b>HVT</b> 347-480V	<b>STV</b> Standard 0-10V <10%

Beam Angle	Finish	Mounting	Accessories	
	<b>BLK</b>	<b>BRK</b>		
<b>25</b> 25° <b>40</b> 40° <b>60</b> 60°	<b>BLK</b> Black	<b>BRK</b> Bracket Mount	<b>GSB*</b> Glare Shield Baffle <b>GSV*</b> Glare Shield Visor <b>EMP</b> Slipfitter	<b>OUT<sup>1</sup></b> Outdoor Rating <b>NAT<sup>2</sup></b> Natatorium Rating
			*Please factor in change in lumen output of -25%	<sup>1</sup> Outdoor rating: Coating and wiring will be changed to high UV resistant and corrosion resistant materials for long term operation in outdoor environments.  <sup>2</sup> Natatorium rating: Coating and sealant will be changed to high corrosion resistant materials to prevent damage from long term exposure to chlorine vapors.

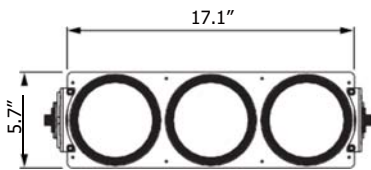
# Tetriss 2.0 - Outdoor/Natatorium

## Delivered

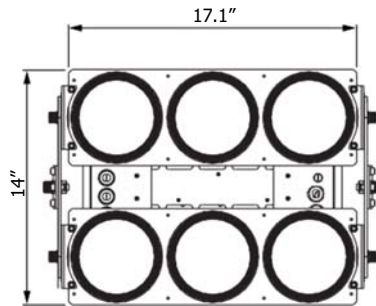
Wattage CCT	200W	400W	600W
5000K	20100 lm	40200 lm	60300 lm
4000K	17700 lm	35400 lm	53010 lm
3000K	16600 lm	33200 lm	49600 lm

\*Tolerance±8%

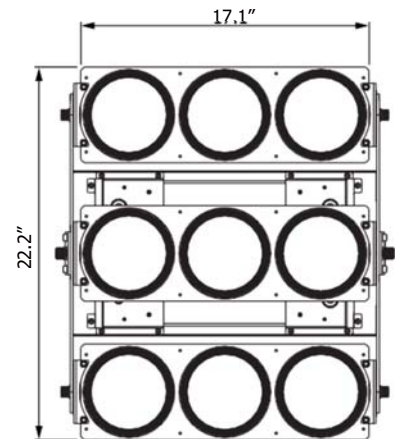
## Dimensions



200W / 3 Modules

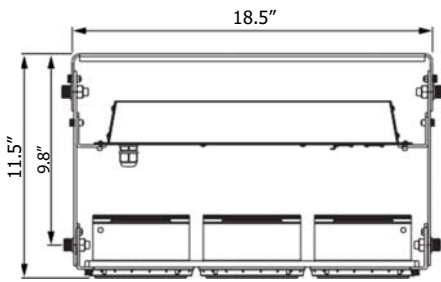


400W / 6 Modules

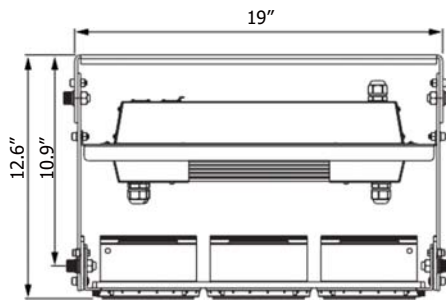


600W / 9 Modules

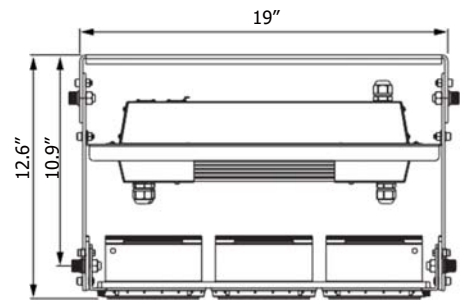
## Mounting Options



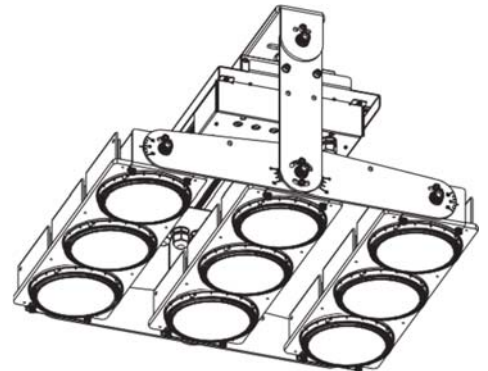
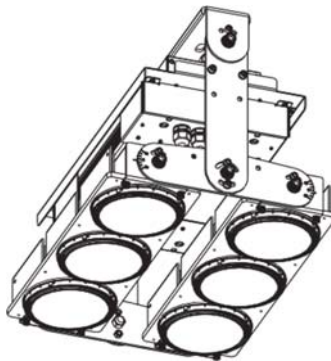
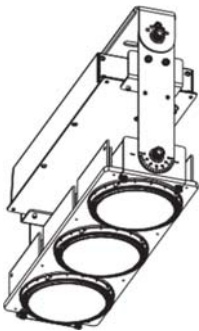
Bracket Mount / 3  
Modules



Bracket Mount / 6  
Modules



Bracket Mount / 9  
Modules



## Accessory

Glare Shield Baffle

Glare Shield Visor

