

ADVANCED HIGH CEILING

Whiz 2.0 - Outdoor/Natorium Rating



High lumen compact luminaire with lumen output 12400 – 35400lm. Additional features include IP65 and outdoor/natorium rating.

Quantity	Type
Project	Note

Electrical System

- 13900lm (120W)
- 19600lm (170W)
- 26700lm (240W)
- 35400lm (300W)
- Power Input: Universal (120-277V); 347-480V
- Operating Temperature: -40°F~112°F
- Surge Protection: 4KV
- Power Factor Greater than 0.9

LED Technology

- 3000K, 3500K, 4000K , 5000K
- 75 CRI, 85 CRI
- Beam Angle: 25°, 40° , 60° and 100° (with diffuser)
- Rated Life > 100,000 hours (L70)
- Lumen Maintenance > 0.90 at 60,000 hours

Advanced Dimming

(Proprietary VX Driver is incorporated to all dimming options for video flicker-free lighting)

- Standard 0-10V: dims to 10%

Housing

- Diameter: 16.24" (420mm)
- Material: Die-Cast Aluminum, Tempered Glass
- Weight: 33lbs

Mounting

- Stem 2ft, 4ft
- Adjustable Aircraft Cable 10ft
- Uplight 2ft, 4ft
- Adjustable Uplight 2ft, 4ft

Warranty

- 5 years limited arranty.

Listing

- ETL Wet Location Listed
- DLC Listed
- IP65



Not all Whiz 2.0 are DLC qualified. For all qualified products. Please visit: www.designlights.org/qpl

Whiz 2.0 - Outdoor/Natatorium Rating



How To Specify:

Ordering Example: **WS2-240-507-UNV-STV-60-BLK-ST2-NAT**

Model	Wattage	CCT / CRI	Voltage	Dimming
WS2			UNV	
WS2	120 120W	507 5000K / CRI75	UNV 120-277V	NOD Non-Dimming
Whiz 2.0 Series	170 170W	308 3000K / CRI85	HVT 347-480V	STV Standard 0-10V dims to 10%
	240 240W	358 3500K / CRI85		
	300 300W	408 4000K / CRI85		

Beam Angle	Finish	Mounting	Accessories	Rating
25 25°	BLK Black	ST2 Stem 2ft	DF ¹ Diffuser	OUT ¹ Outdoor Rating
40 40°	WHT White	ST4 Stem 4ft	WG ² Wire Guard	NAT ² Natatorium Rating
60 60°		AD10 Adjustable Cable 10ft	SNT ³ Snoot	
WD 100° (with diffuser)		UP2 Uplight Stem 2ft UP4 Uplight Stem 4ft AUP2 Adjustable Uplight 2ft AUP4 Adjustable Uplight 4ft	GSV ⁴ Glare Shield Visor	
*Please factor in change in lumen output with diffuser (-20% with WD ; -12% with other degrees).			¹ Please factor in change in lumen output with diffuser (-20% with WD; -12% with other degrees). ² Please factor in change in lumen output of -14% ³ Please factor in change in lumen output of -30%. ⁴ Please factor in change in lumen output of -25%.	¹ Outdoor rating: Coating and wiring will be changed to high UV resistant and corrosion resistant materials for long term operation in outdoor environments. ² Natatorium rating: Coating and sealant will be changed to high corrosion resistant materials to prevent damage from long term exposure to chlorine vapors

DesignLights Consortium™ Qualified Luminaires:

DLC QPL Model Number : WS2-300-408
 Not all product variations listed on this page are DLC qualified.
 To ensure that a specific model is qualified, visit www.designlights.org/search.

Whiz 2.0 - Outdoor/Natatorium Rating



Delivered Lumens*

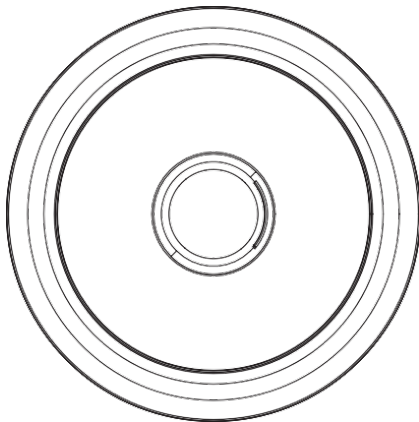
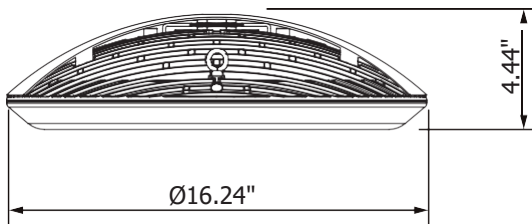
Wattage	120W	170W	240W	300W
CCT	Beam Angle: 40°			
5000K	13900 lm	19600 lm	26700 lm	35400 lm
4000K	13300 lm	18900 lm	22100 lm	29700 lm
3500K	12500 lm	17700 lm	21400 lm	28800 lm
3000K	12400 lm	17510 lm	21200 lm	28500 lm

Tolerance±8%

Current Consumption

Wattage	Volt	120V	277V
120W		1.1A	0.48A
170W		1.56A	0.68A
240W		2.02A	0.87A
300W		2.75A	1.19A

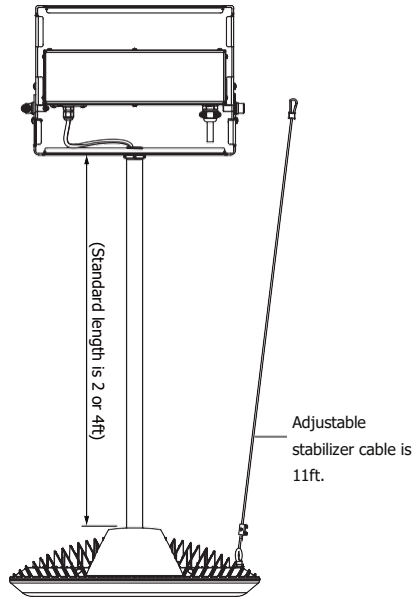
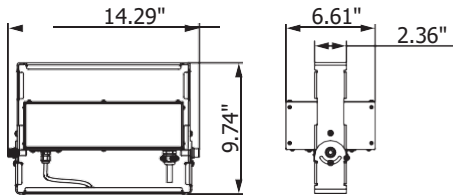
Dimensions



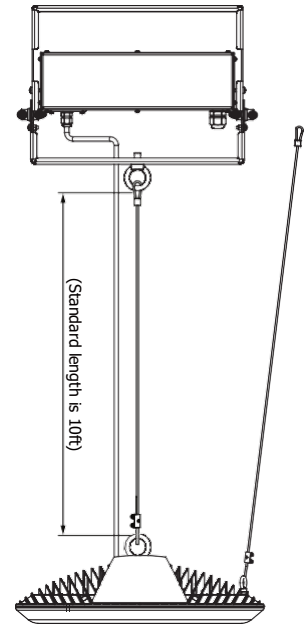
Whiz 2.0 - Outdoor/Natatorium Rating



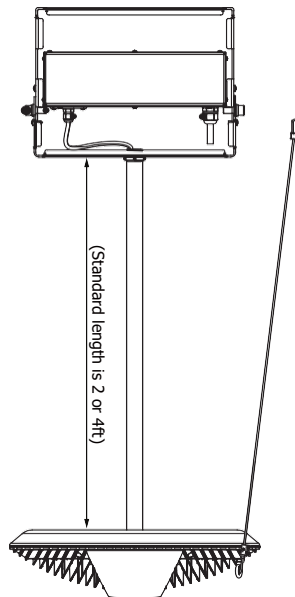
Mounting Options



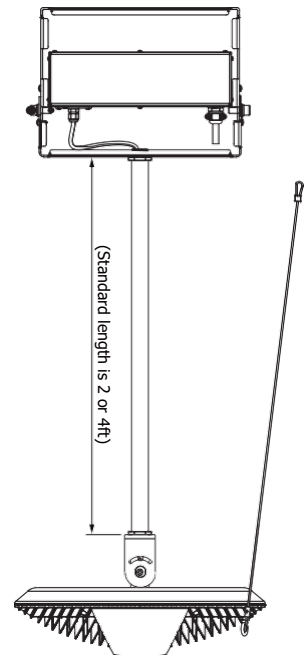
Stem



Adjustable Aircraft Cable

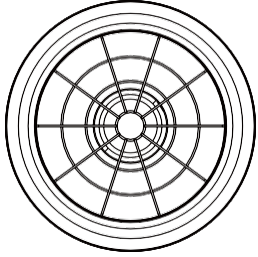


Uplight



Adjustable Uplight

Accessory



Wire Guard