

ADVANCED HIGH CEILING

# Whiz 2.0 - W+RGB



Our Flagship Architectural High Ceiling Luminaire is now available in W+RGB color tuning with lumen output of 21,520 lm.



Quantity	Type
Project	Note

## Electrical System

- 300W / W=180W, RGB=120W
- Power Input: Universal (120-277V)
- Operating Temperature: -40°F~112°F
- Surge Protection: 4KV
- Power Factor Greater than 0.9

## LED Technology

- White: CCT 3000K
- 85 CRI
- White Beam Angle: 25°, 40°, 60°, 100° (with diffuser)
- RGB Beam Angle: 100° (with diffuser)
- Rated Life > 100,000 hours (L70)
- Lumen Maintenance > 0.90 at 60,000 hours

## Advanced Dim-

(Proprietary VX Driver is incorporated to all dimming options for video flicker-free lighting)

- DMX: high resolution dims to 0.1% (Supports ANSI E1.20 RDM protocol)

## Housing

- Diameter: 16.24" (420mm)
- Material: Die-Cast Aluminum, Tempered Glass
- Weight: 33lbs

## Mounting

- Stem 2ft, 4ft
- Adjustable Aircraft Cable 10ft
- Uplight 2ft, 4ft
- Adjustable Uplight 2ft, 4ft

## Warranty

- 5 years limited Warranty.

## Listing

- ETL Damp Location Listed
- DLC Listed
- UL924



# Whiz 2.0 - W+RGB



## How To Specify:

**Ordering Example: WS2-300-308C-UNV-DMX-60-BLK-ST2**

Model	Wattage	CCT / CRI	Voltage	Dimming
WS2		WS2	UNV	
WS2 Whiz 2 W+RGB	<b>300</b> 300W	<b>308C</b> 3000K / CRI85+RGB	<b>UNV</b> 120-277V	<b>DMX</b> DMX dims to 0.1% (XLR Sockets) <b>DMX(RJ45)</b> DMX dims to 0.1% (RJ45 Sockets)

Beam Angle	Finish	Mounting	Accessories
<b>25</b> 25°	<b>BLK</b> Black	<b>ST2</b> Stem 2ft	<b>DF<sup>1</sup></b> Diffuser
<b>40</b> 40°	<b>WHT</b> White	<b>ST4</b> Stem 4ft	<b>WG<sup>2</sup></b> Wire Guard
<b>60</b> 60°		<b>AD10</b> Adjustable Cable 10ft	<b>SNT<sup>3</sup></b> Snoot
<b>WD<sup>1</sup></b> 100° (with diffuser)		<b>UP2*</b> Uplight Stem 2ft	<b>GSV<sup>4</sup></b> Glare Shield Visor
		<b>UP4*</b> Uplight Stem 4ft	
		<b>AUP2*</b> Adjustable Uplight 2ft	
		<b>AUP4*</b> Adjustable Uplight 4ft	
<sup>1</sup> Please factor in change in lumen output with diffuser (-20% with WD).			<sup>1</sup> Please factor in change in lumen output with diffuser (-20% with WD; -12% with other degrees) <sup>2</sup> Please factor in change in lumen output of -14% <sup>3</sup> Please factor in change in lumen output of -30%. <sup>4</sup> Please factor in change in lumen output of -25%.

**Delivered Lumens\***

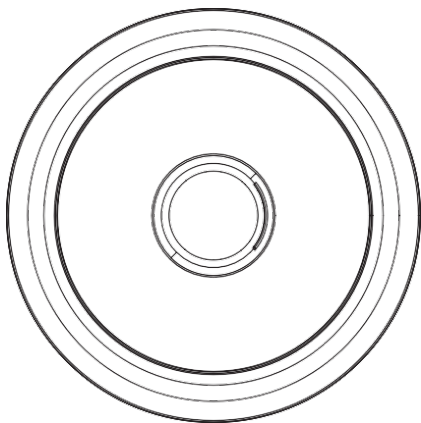
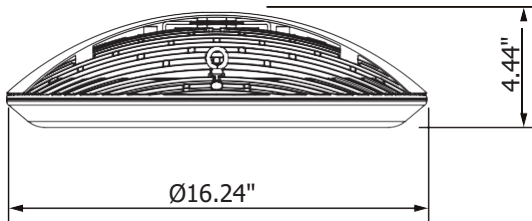
Wattage	300W	
	Beam Angle: 60°	
CCT		
R	40 W	510 lm
G	40 W	4000 lm
B	40 W	490 lm
W	180 W	16520 lm

\*Tolerance±8%

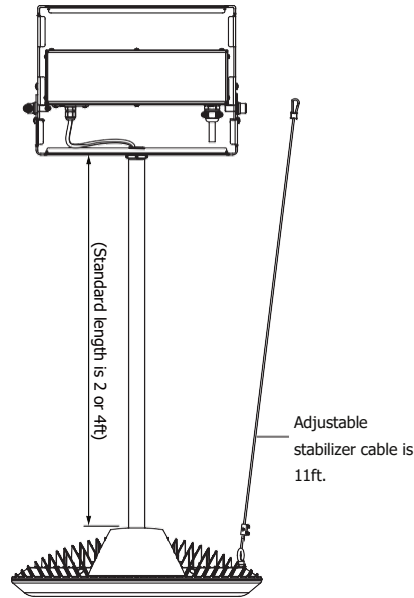
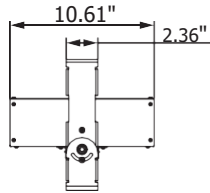
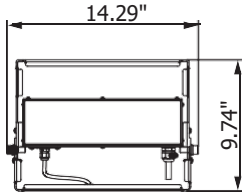
**Current Consumption**

	Volt	120V	277V
Wattage			
300W		2.88A	1.26A

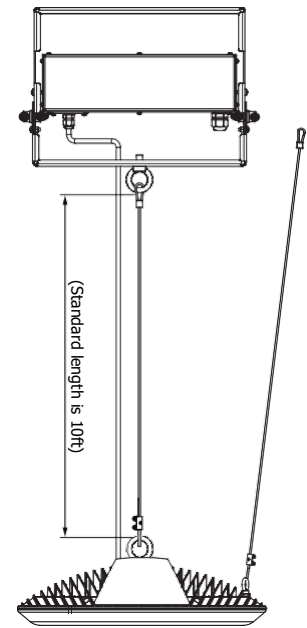
**Dimensions**



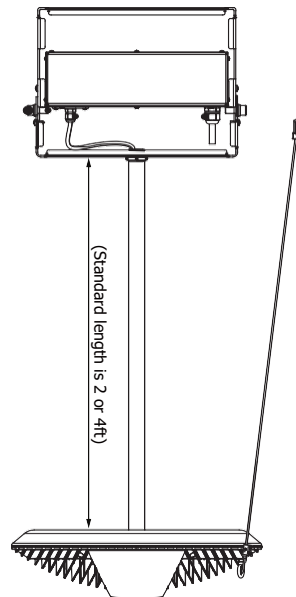
## Mounting Options



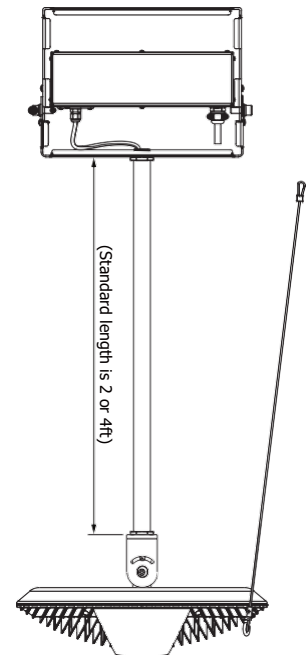
Stem



Adjustable Aircraft Cable



Uplight



Adjustable Uplight

### DMX Require-

The Whiz 2.0 fixture with DMX is a FOUR CHANNELS DMX unit.

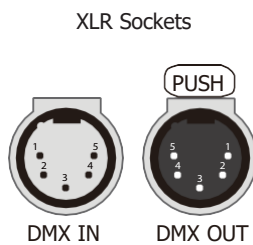
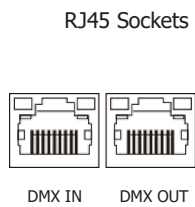
When placing order, please indicate DMX address. (The DMX address will be listed on the back of the fixture.) The LED fixture provide RJ45 Socket or XLR socket to connect. (DMX cable NOT included.)

The final fixture should be terminated by the use of DMX Terminator (by others).

Fixture	DMX Address			
	Red Control (ex. X)	Green Control (ex. X+1)	Blue Control (ex. X+2)	White Control (ex. X+3)
#1	1	2	3	4
#2	5	6	7	8
#3	9	10	11	12

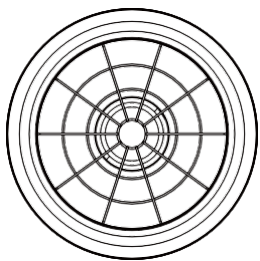
The LED fixture provide RJ45 Socket or XLR socket to connect. (DMX cable NOT included.)

The final fixture should be terminated by the use of DMX Terminator (by others).

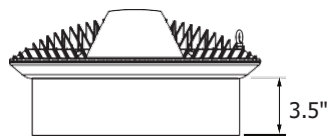


CONNECTION	RJ45 (CAT5e)	5-PIN XLR
Common	WHITE/BROWN(PIN7) & BROWN (PIN 8)	PIN 1
Signal -	ORANGE (PIN 2)	PIN 2
Signal +	WHITE/ORANGE (PIN 1)	PIN 3
Spare	-	PIN 4
Spare	-	PIN 5

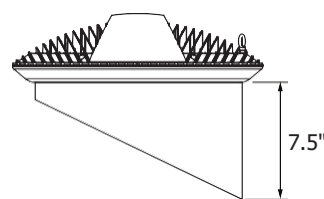
### Accessory



Wire Guard



Snoot



Glare Shield Visor