

ADVANCED HIGH CEILING

Whiz 2.0 - W+RGB



Our Flagship Architectural High Ceiling Luminaire is now available in W+RGB color tuning with lumen output of 21,520 lm.



Quantity		Type	
Project		Note	

Electrical System

- 300W / W=180W, RGB=120W
- Power Input: Universal (120-277V)
- Operating Temperature: -40°F~112°F
- Surge Protection: 4KV
- Power Factor Greater than 0.9

LED Technology

- White: CCT 3000K
- 85 CRI
- White Beam Angle: 25°, 40°, 60°, 100° (with diffuser)
- RGB Beam Angle: 100° (with diffuser)
- Rated Life > 100,000 hours (L70)
- Lumen Maintenance > 0.90 at 60,000 hours

Advanced Dim-

(Proprietary VX Driver is incorporated to all dimming options for video flicker-free lighting)

- DMX: high resolution dims to 0.1% (Supports ANSI E1.20 RDM protocol)

Housing

- Diameter: 16.24" (420mm)
- Material: Die-Cast Aluminum, Tempered Glass
- Weight: 33lbs

Mounting

- Stem 2ft, 4ft
- Adjustable Aircraft Cable 10ft
- Uplight 2ft, 4ft
- Adjustable Uplight 2ft, 4ft

Warranty

- 5 years limited Warranty.

Listing

- ETL Damp Location Listed
- DLC Listed
- UL924



Whiz 2.0 - W+RGB



How To Specify:

Ordering Example: WS2-300-308C-UNV-DMX-60-BLK-ST2

Model	Wattage	CCT / CRI	Voltage	Dimming
WS2		WS2	UNV	
WS2 Whiz 2 W+RGB	300 300W	308C 3000K / CRI85+RGB	UNV 120-277V	DMX DMX dims to 0.1% (XLR Sockets) DMX(RJ45) DMX dims to 0.1% (RJ45 Sockets)

Beam Angle	Finish	Mounting	Accessories
25 25°	BLK Black	ST2 Stem 2ft	DF¹ Diffuser
40 40°	WHT White	ST4 Stem 4ft	WG² Wire Guard
60 60°		AD10 Adjustable Cable 10ft	SNT³ Snoot
WD¹ 100° (with diffuser)		UP2* Uplight Stem 2ft	GSV⁴ Glare Shield Visor
		UP4* Uplight Stem 4ft	
		AUP2* Adjustable Uplight 2ft	
		AUP4* Adjustable Uplight 4ft	
¹ Please factor in change in lumen output with diffuser (-20% with WD).			¹ Please factor in change in lumen output with diffuser (-20% with WD; -12% with other degrees) ² Please factor in change in lumen output of -14% ³ Please factor in change in lumen output of -30%. ⁴ Please factor in change in lumen output of -25%.

Delivered Lumens*

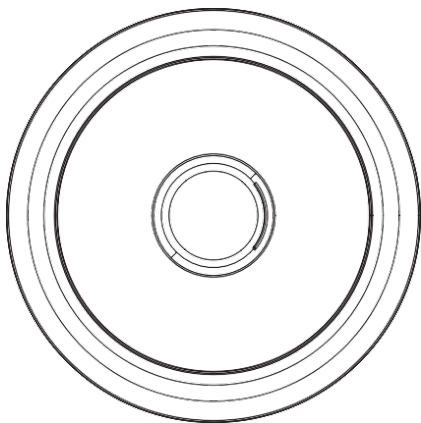
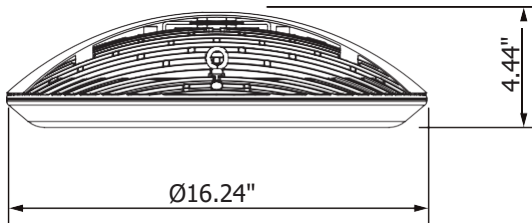
Wattage	300W	
	Beam Angle: 60°	
CCT		
R	40 W	510 lm
G	40 W	4000 lm
B	40 W	490 lm
W	180 W	16520 lm

*Tolerance±8%

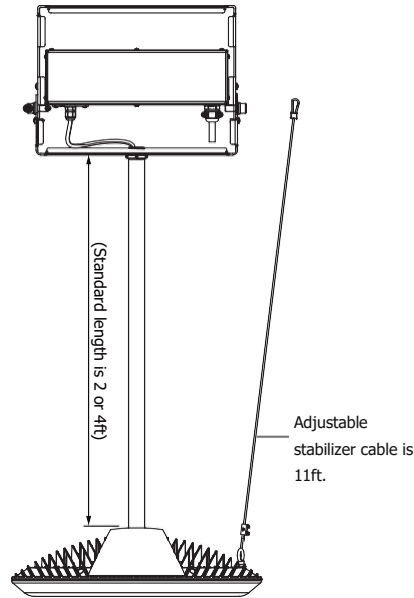
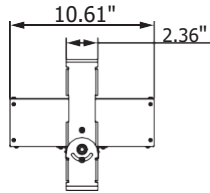
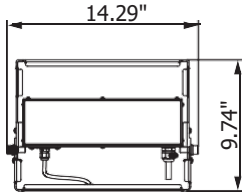
Current Consumption

	Volt	120V	277V
Wattage		2.88A	1.26A
300W			

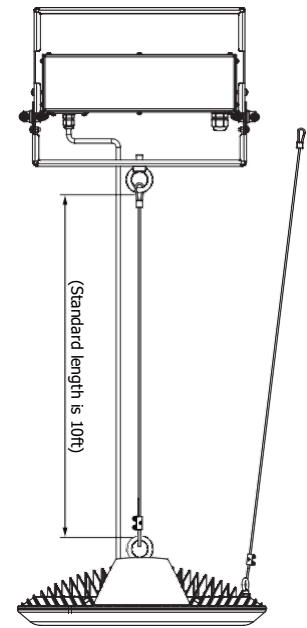
Dimensions



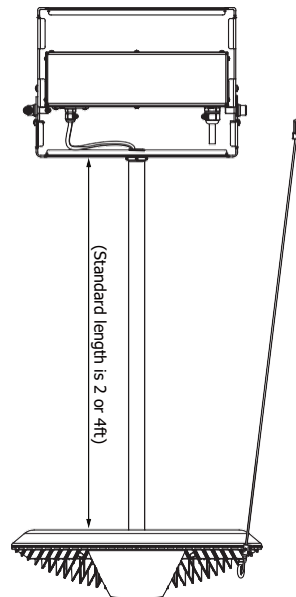
Mounting Options



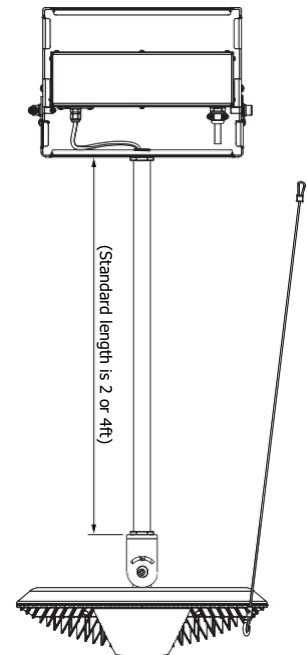
Stem



Adjustable Aircraft Cable



Uplight



Adjustable Uplight

DMX Requirements

The Whiz 2.0 fixture with DMX is a FOUR CHANNELS DMX unit.

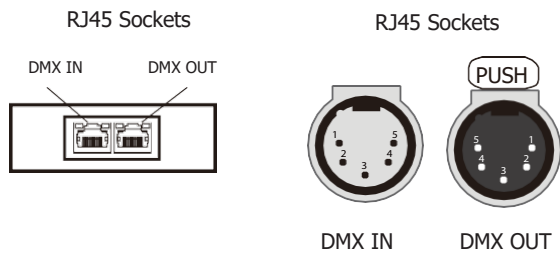
When placing order, please indicate DMX address. (The DMX address will be listed on the back of the fixture.) The LED fixture provide RJ45 Socket or XLR socket to connect. (DMX cable NOT included.)

The final fixture should be terminated by the use of DMX Terminator (by others).

Fixture	DMX Address			
	Red Control (ex. X)	Green Control (ex. X+1)	Blue Control (ex. X+2)	White Control (ex. X+3)
#1	1	2	3	4
#2	5	6	7	8
#3	9	10	11	12

The LED fixture provide RJ45 Socket or XLR socket to connect. (DMX cable NOT included.)

The final fixture should be terminated by the use of DMX Terminator (by others).



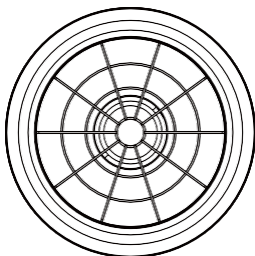
CONNECTION	RJ45 (CAT5e)	5-PIN XLR
Common	WHITE/BROWN(PIN7) & BROWN (PIN 8)	PIN 1
Signal -	ORANGE (PIN 2)	PIN 2
Signal +	WHITE/ORANGE (PIN 1)	PIN 3
Spare	-	PIN 4
Spare	-	PIN 5

Compatible DMX Cabling List

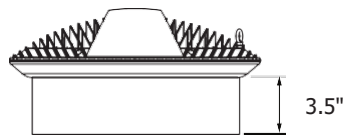
DMX uses a cable consisting of two twisted pairs plus a shield to carry data. The cable must be specifically impedance matched for the digital DMX signal, meaning that microphone cable or other non-rated cable **must not be used to carry DMX**. Network cable (Cat5, 5e or 6 cable) may be used to carry DMX in an installation; however special consideration must be given to shielding and termination. Under no circumstances should solid core cable like Cat5 be terminated into a screw down connector.

Meteor recommends the use of Belden 9729 for DMX installation. Belden 9729 is a two pair cable, which allows for a spare pair for 'out and back' type terminations if needed. Below is a list of other compatible Belden cables.

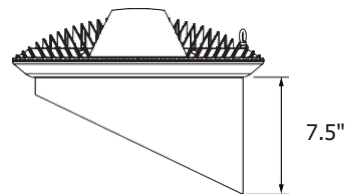
Accessory



Wire Guard



Snoot



Glare Shield Visor