

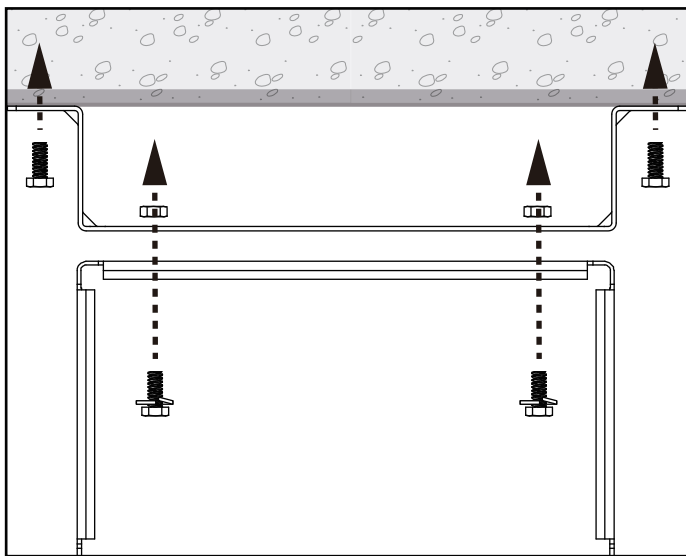
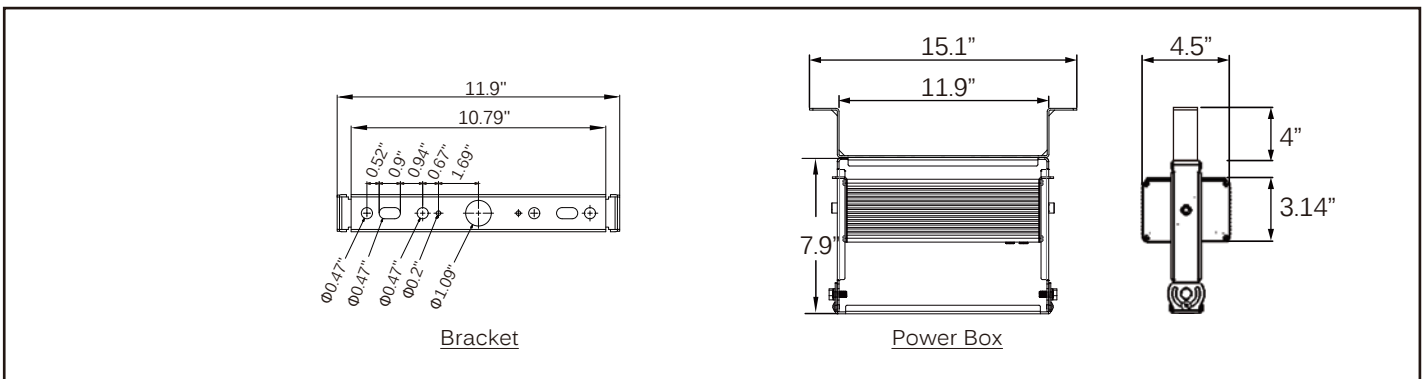
# ADVANCED HIGH CEILING Whiz - Stem



## IMPORTANT SAFETY INFORMATION. READ AND FOLLOW ALL SAFETY INSTRUCTIONS

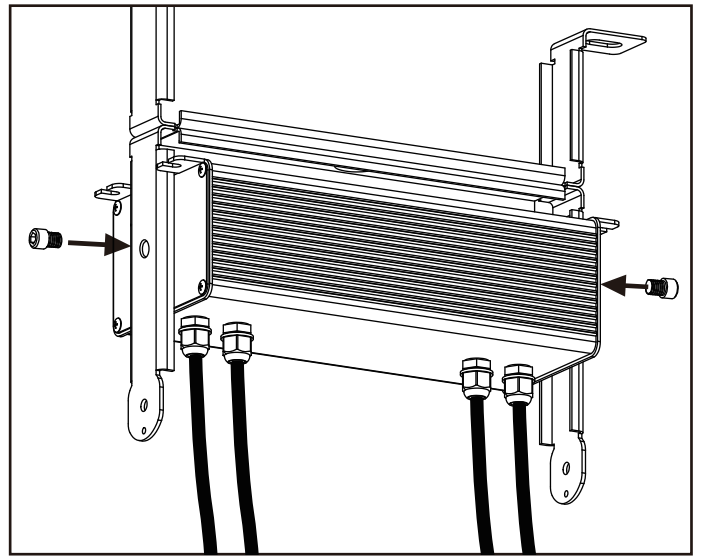
IMPORTANT SAFETY INFORMATION. READ AND FOLLOW ALL SAFETY INSTRUCTIONS. Before wiring to power supply and during servicing or relamping, turn off power at fuse or circuit breaker. All servicing or relamping must be performed by qualified service personnel. Product must be grounded to avoid potential electric shock or other potential hazard. Product must be at locations and at heights and in a manner consistent with its intended use, and in compliance with Electrical Code and local codes.

**SAVE THESE INSTRUCTIONS FOR FUTURE REFERENCE.**



### Step 1

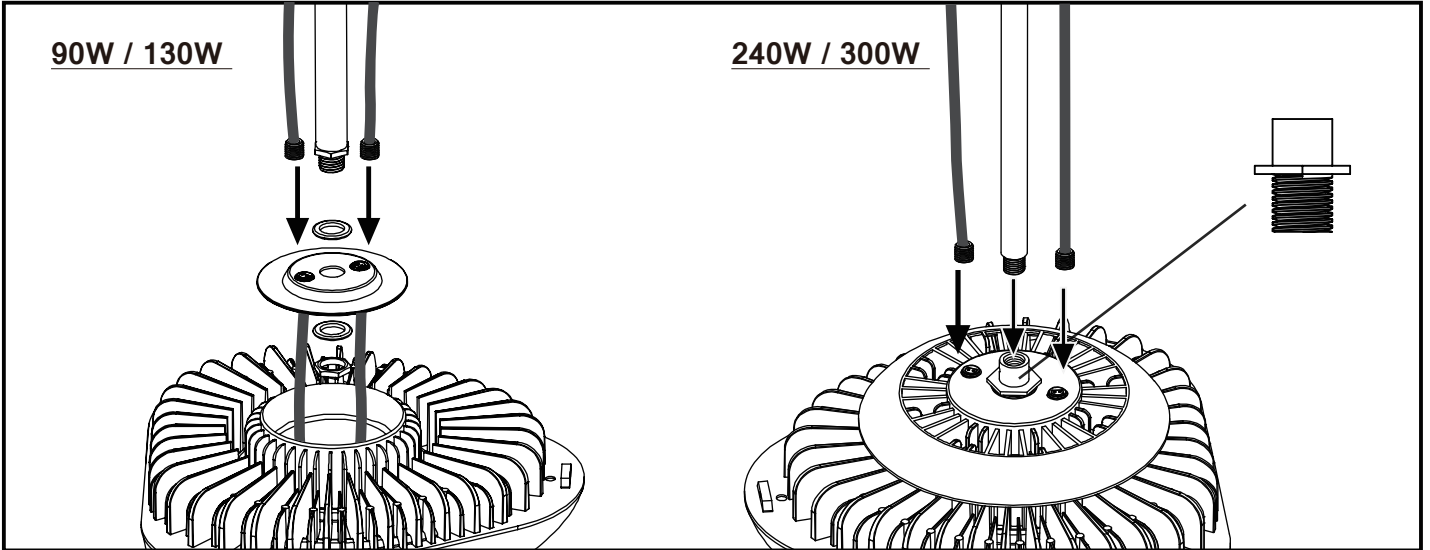
Secure bracket to level surface with mounting hardware that is sufficient to support weight of LED fixture and power box.



### Step 2

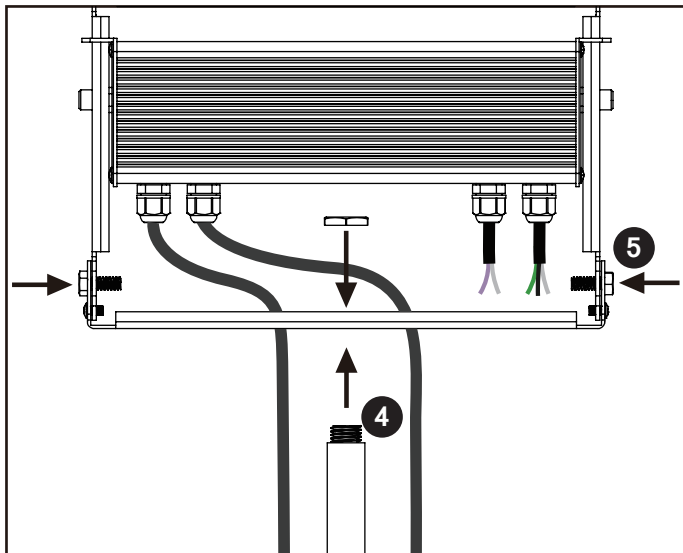
Secure power supply box to bracket with provided screws.

# ADVANCED HIGH CEILING Whiz - Stem



### Step 3

For WS-90 and WS-130: Open cover on back of fixture head. Fasten stem to cover with provided hardware.  
For WS-240 and WS-300: Fasten stem to provided adapter on back of fixture head.

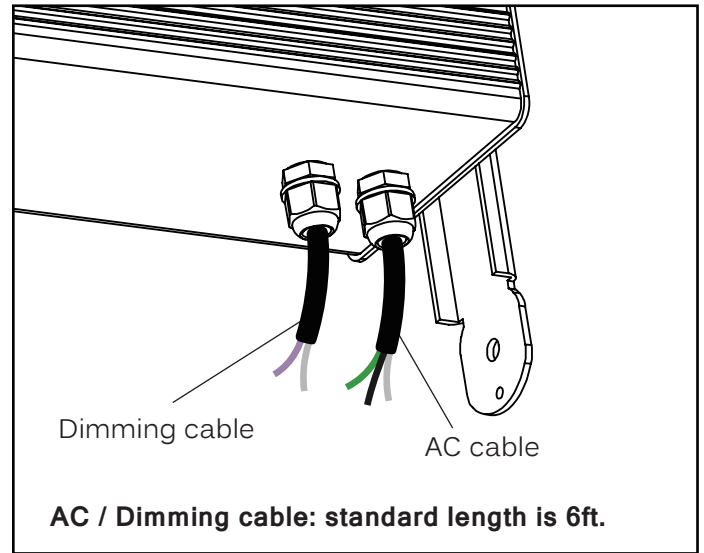


### Step 4

Insert the other side of the stem through the middle hole on the bottom side of the bracket. Use a lock nut to secure the stem onto the bracket.

### Step 5

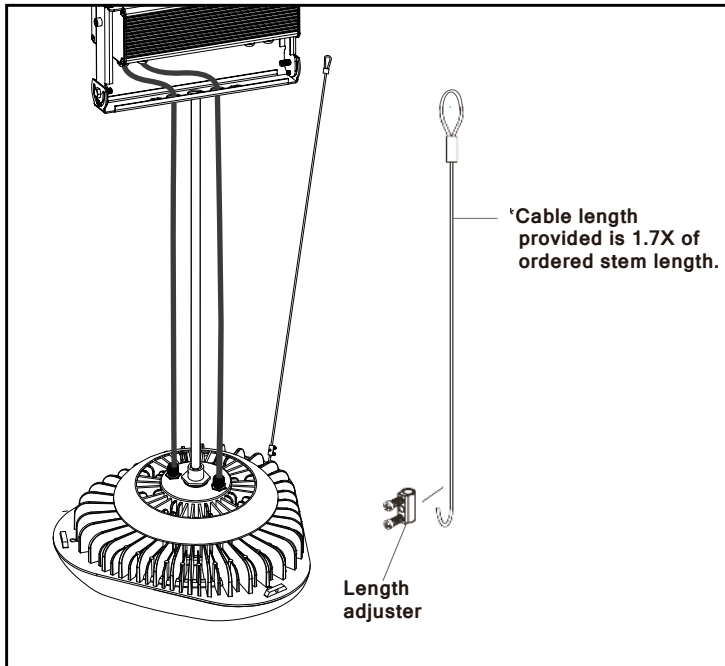
Secure lower bracket to main bracket with power box with provided self-locking fastener and screw.



### Step 6

Connect power input wires with corresponding black/white/green wires using attached connector at the end of the wires.

# ADVANCED HIGH CEILING Whiz - Stem



## Step 7

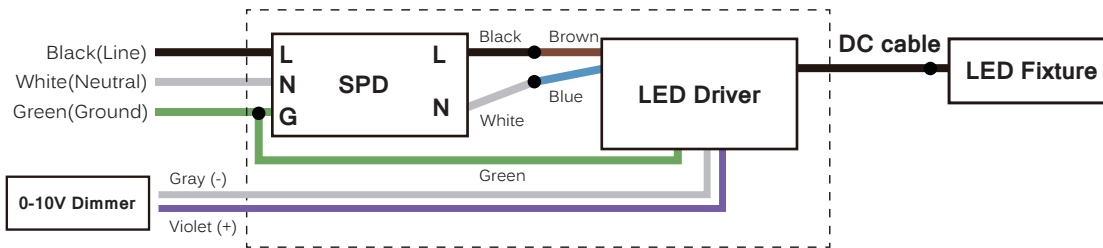
Assemble the stabilizer cables (**1 pcs**) on each end and length adjuster on the other end. Feed cable through the mounting corners and tighten adjusting screw. Ensure fixture is secure before adjusting height of the cable.

# ADVANCED HIGH CEILING Whiz - Stem

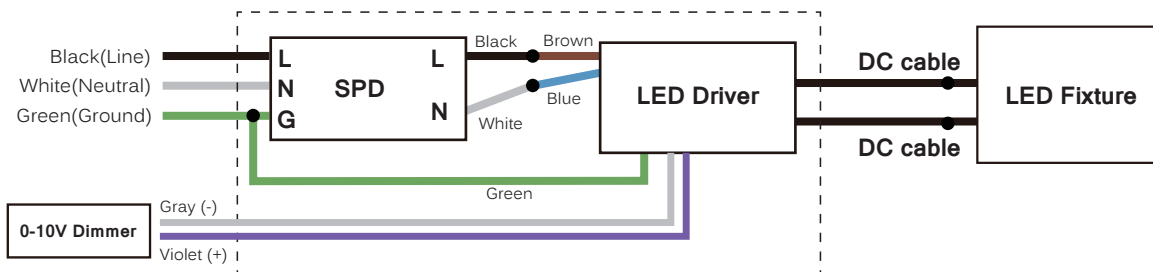


## Wiring Diagram

### Standard 0-10V (WS-90/WS-130)



### Standard 0-10V (WS-240/WS-300)

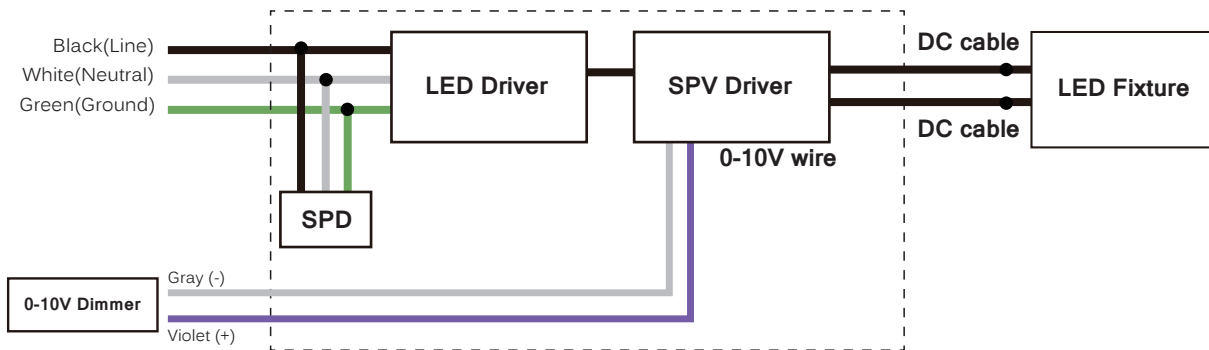


# ADVANCED HIGH CEILING Whiz - Stem

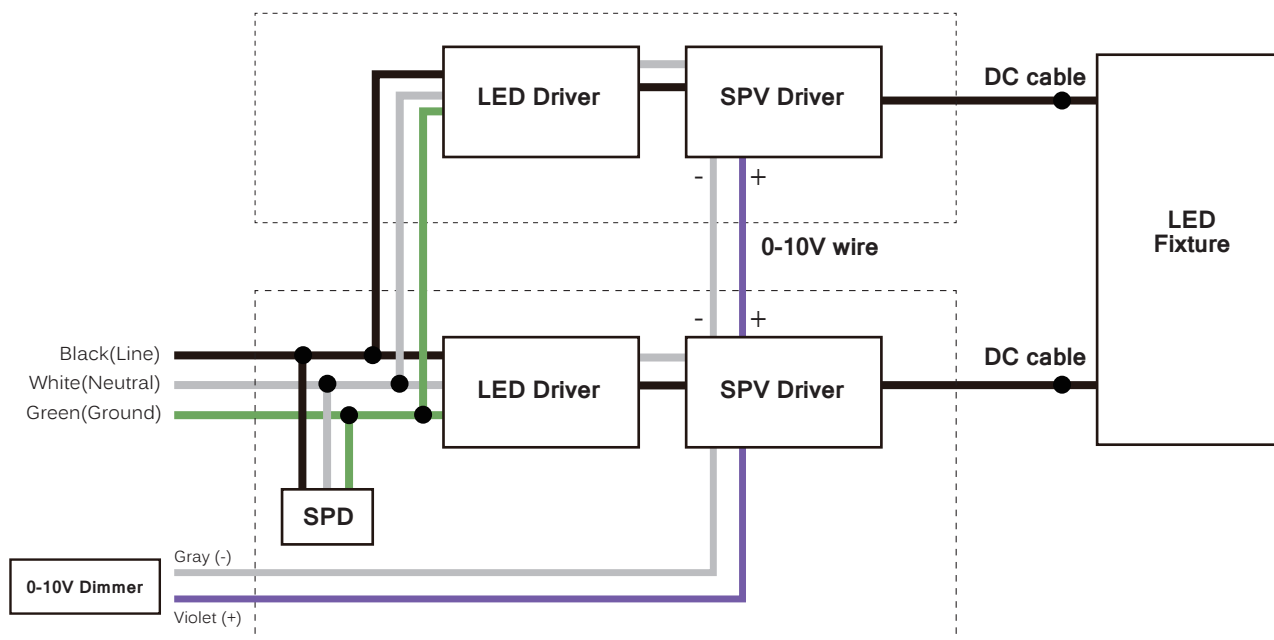


## Wiring Diagram

### Superior 0-10V (WS-90/WS-130)



### Superior 0-10V (WS-240/WS-300)

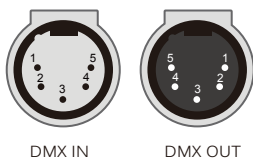
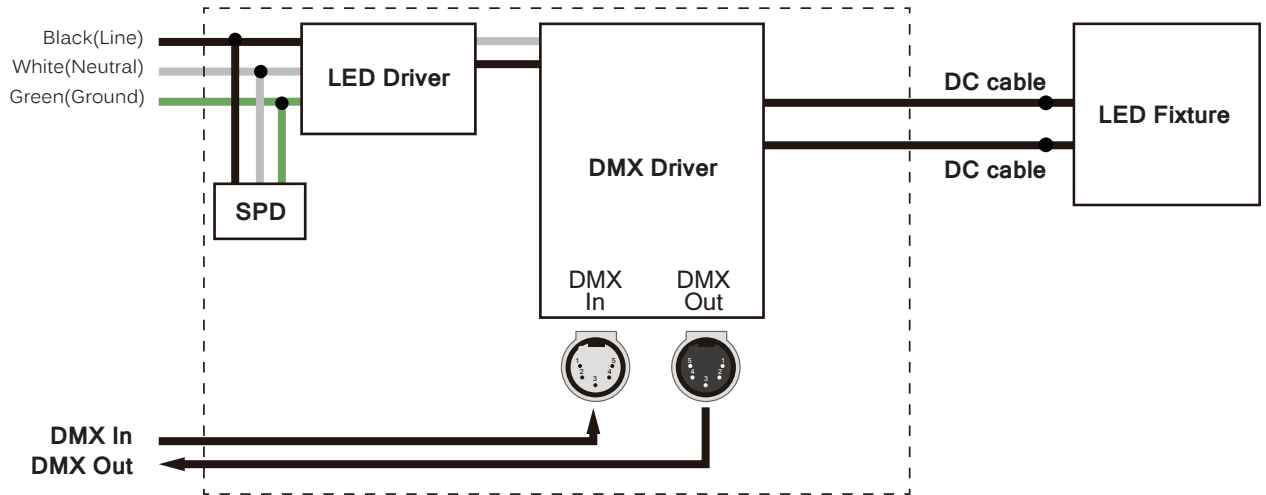


# ADVANCED HIGH CEILING Whiz - Stem



## Wiring Diagram

### DMX (WS-90/WS-130)



XLR Socket

CONNECTION	5-PIN XLR
Common	PIN 1
Signal -	PIN 2
Signal +	PIN 3
Spare	PIN 4
Spare	PIN 5

\*The last fixture has to be terminated with a DMX Terminator (by others).

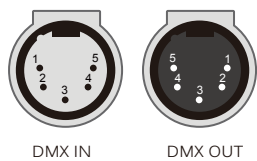
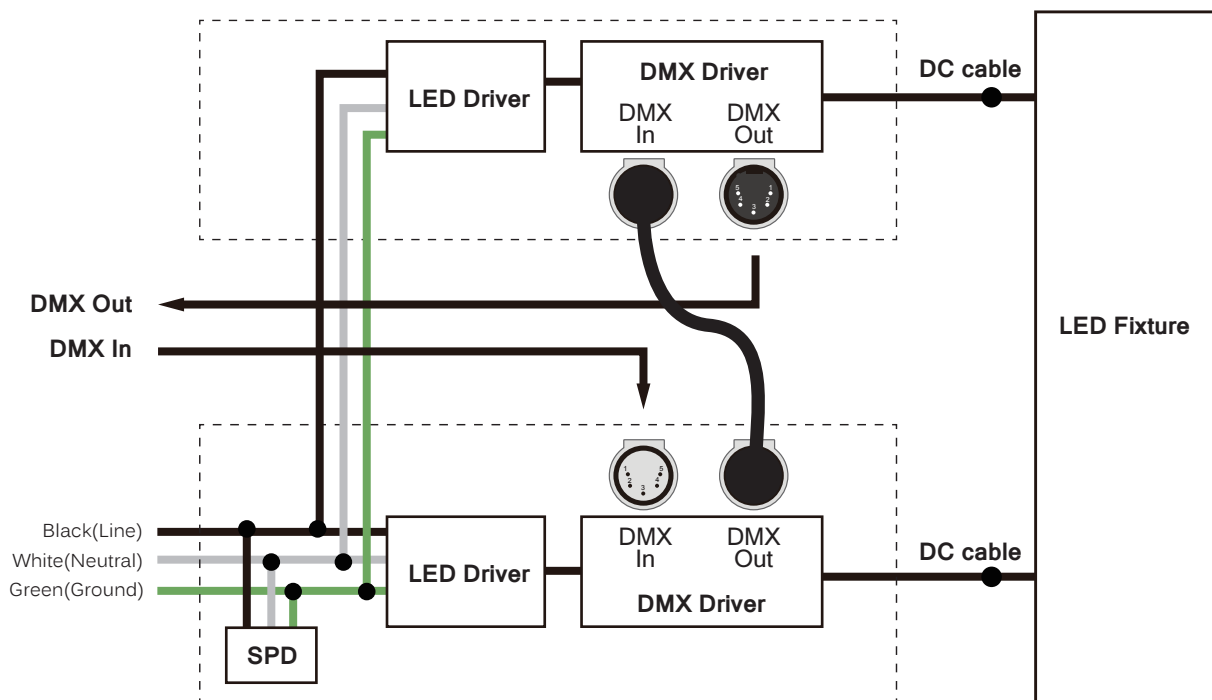
DMX512 is connected using a daisy-chain methodology where the source connects to the input of the first device, the output of the first device connects to the input of the next device, and so on.

# ADVANCED HIGH CEILING Whiz - Stem



## Wiring Diagram

DMX (WS-240/WS-300)



XLR Socket

CONNECTION	5-PIN XLR
Common	PIN 1
Signal -	PIN 2
Signal +	PIN 3
Spare	PIN 4
Spare	PIN 5

\*The last fixture has to be terminated with a DMX Terminator (by others).

DMX512 is connected using a daisy-chain methodology where the source connects to the input of the first device, the output of the first device connects to the input of the next device, and so on.