

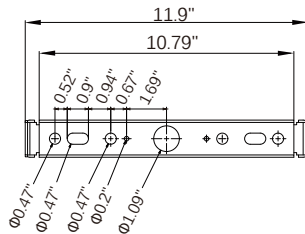
ADVANCED HIGH CEILING Whiz - Uplight



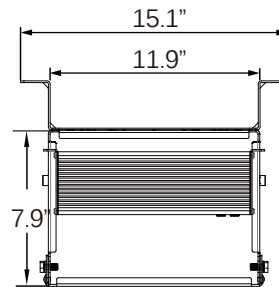
IMPORTANT SAFETY INFORMATION. READ AND FOLLOW ALL SAFETY INSTRUCTIONS

IMPORTANT SAFETY INFORMATION. READ AND FOLLOW ALL SAFETY INSTRUCTIONS. Before wiring to power supply and during servicing or relamping, turn off power at fuse or circuit breaker. All servicing or relamping must be performed by qualified service personnel. Product must be grounded to avoid potential electric shock or other potential hazard. Product must be at locations and at heights and in a manner consistent with its intended use, and in compliance with Electrical Code and local codes.

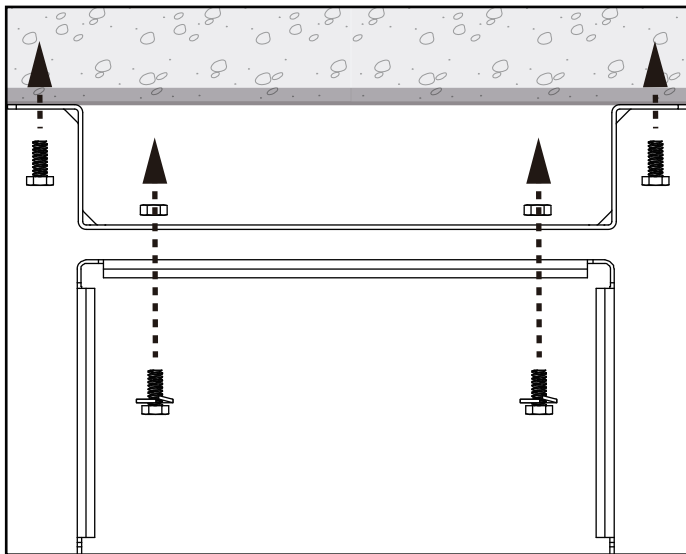
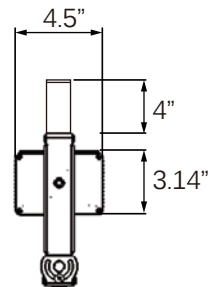
SAVE THESE INSTRUCTIONS FOR FUTURE REFERENCE.



Bracket

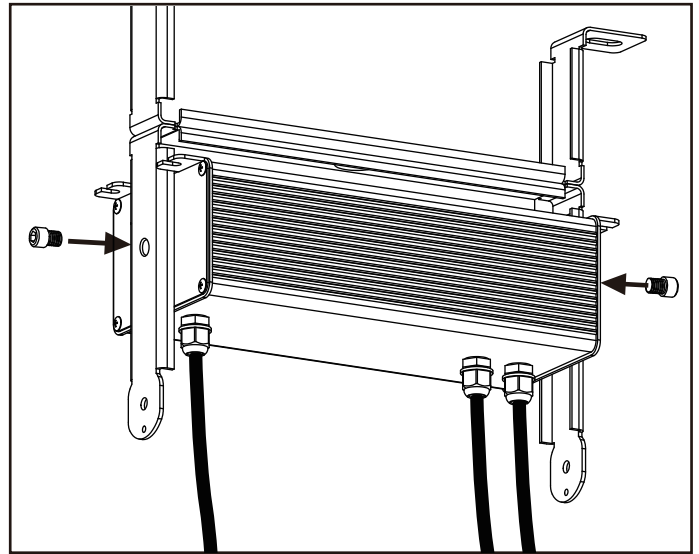


Power Box



Step 1

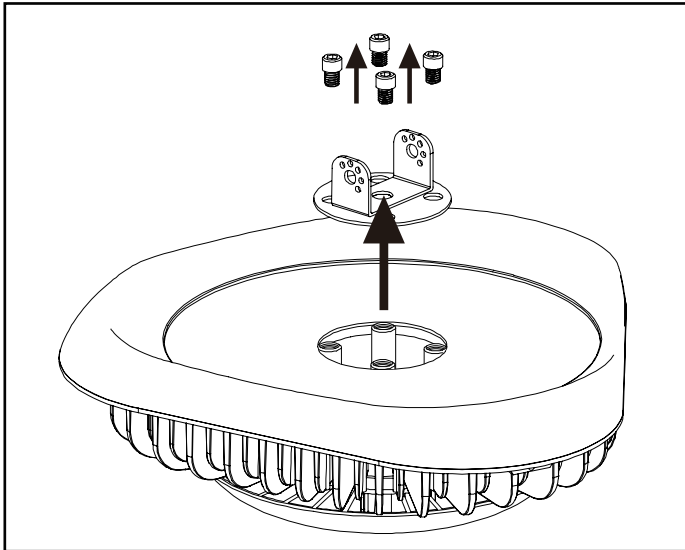
Secure bracket to level surface with mounting hardware that is sufficient to support weight of LED fixture and power box.



Step 2

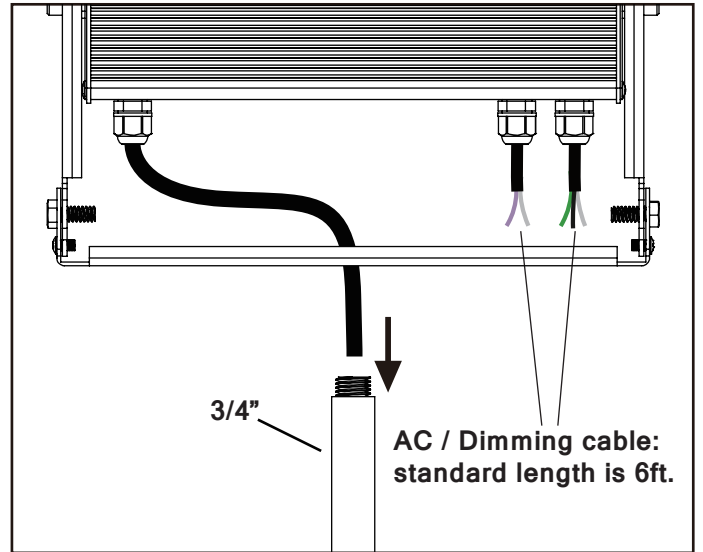
Secure power supply box to bracket with provided screws.

ADVANCED HIGH CEILING Whiz - Uplight



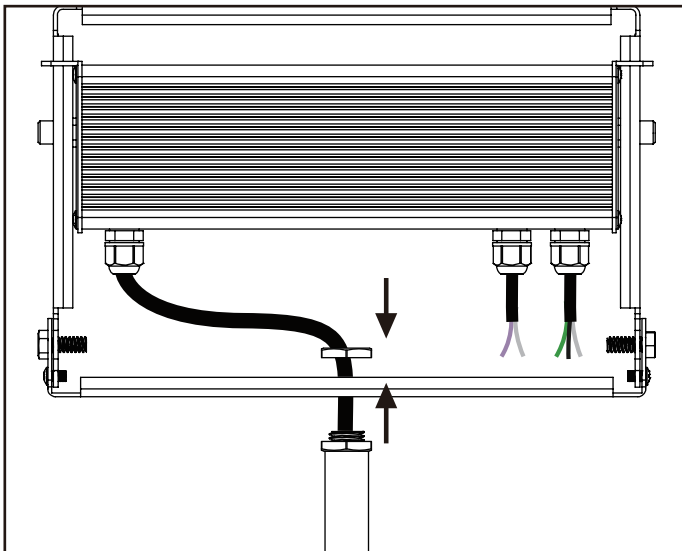
Step 3

Remove angle adjuster plate using an allen wrench.



Step 4

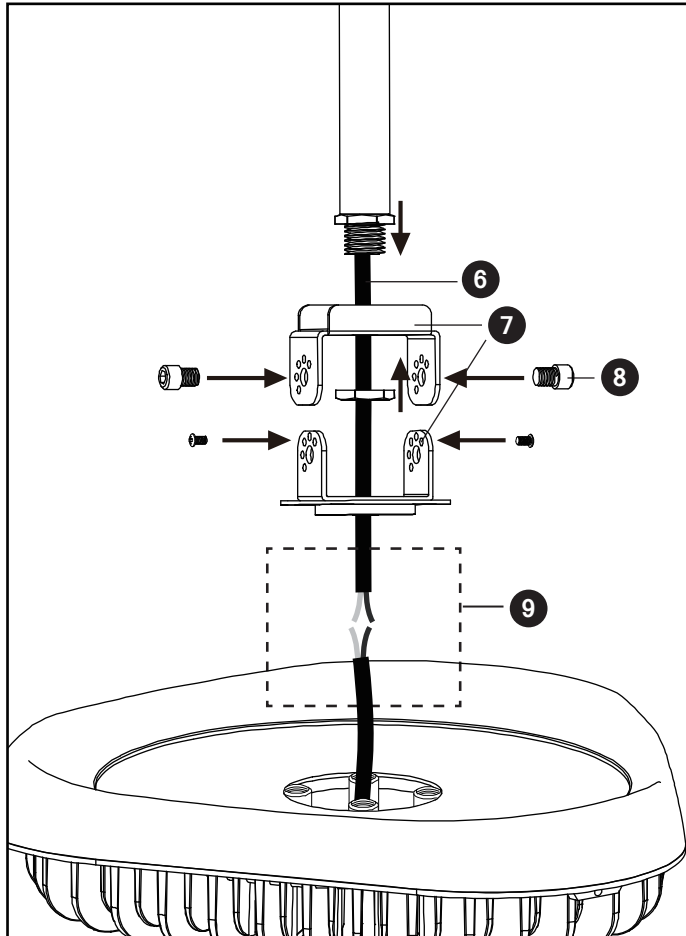
Take the 2 pair of wires from the DC output of the power box and place a nut through all wires.



Step 5

Route the 2 pair of wires through the middle hole of the power box bracket, with the nut below the bracket. Route the wires through the stem.

ADVANCED HIGH CEILING Whiz - Uplight



Step 6

The wires should come out on the other side of the stem.

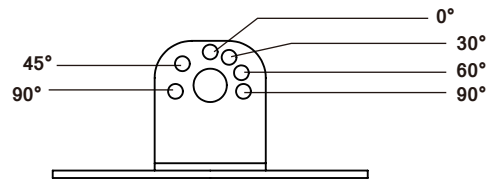
Step 7

One nut should be on the bottom side of the bracket, with another nut on the top side when secured. Also note that a washer is secured in between.

Step 8

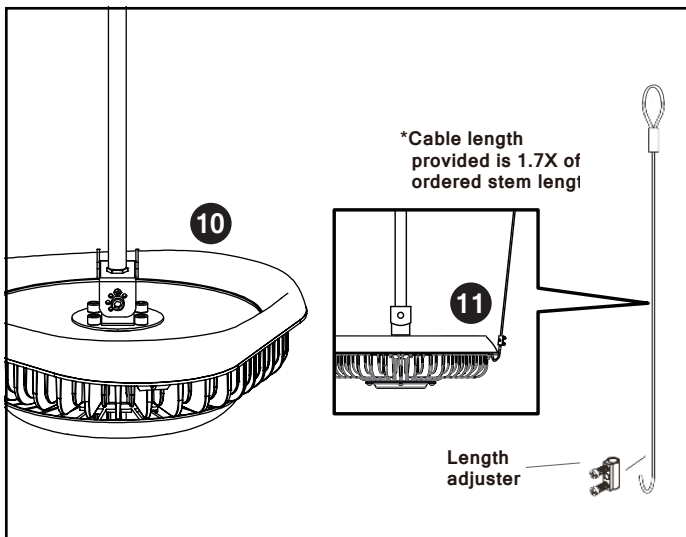
Secure the angle adjustor plate. Route the wire through the middle of the adjustor plate.

Tilt an angle:



Step 9

Connect black wires together using the connector. Connect white wires together using the connector.



Step 10

Secure angle adjustor and stem to the middle of the fixture with the 4 screws.

Step 11

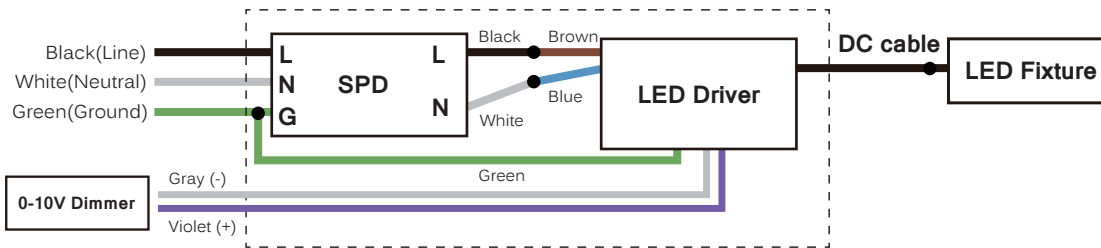
Assemble the stabilizer cables (**1 pcs**) with eyelet ring hook on one end and length adjuster on the other end. Feed cable through the mounting corners and tighten adjusting screw. Ensure fixture is secure before adjusting height of the cable.

ADVANCED HIGH CEILING Whiz - Uplight



Wiring Diagram

Standard 0-10V (WS-90/WS-130)



Standard 0-10V (WS-240/WS-300)

