

ADVANCED HIGH CEILING

Whiz - Outdoor/Natatorium Rating



High lumen compact luminaire with lumen output 8316 – 33475lm.

- Outdoor/Natatorium Rating

Special coating, sealant, and wiring is applied for long term operation in harsh environments.

- Standard version available

(Please refer to Standard Version spec sheet)



| | |
|----------|------|
| Quantity | Type |
| Project | Note |

Electrical System

- 9975lm (90W)
- 14280lm (130W)
- 28737lm (240W)
- 33475lm (300W)
- Power Input: Universal (120-277V); 347-480V
- Operating Temperature: -40°F~112°F
- Surge Protection: 10KV
- Remote Emergency Pack (Bodine BSL20W)
- *Emergency option is only available with standard 0-10V (STV).**

LED Technology

- 3000K, 4000K , 5000K
- 75 CRI, 85 CRI, 93 CRI
- Beam Angle: 15°, 30°, 60° and 100° (with diffuser)
- Rated Life > 100,000 hours (L70)
- Lumen Maintenance > 0.90 at 60,000 hours

Advanced Dimming

(Proprietary VX Driver is incorporated to all dimming options for video flicker-free lighting)

- **Standard 0-10V:** dims to 10%

Housing

- Diameter: 15.07" (383mm) x 14.17" (360mm)
- Height: WS-90 / WS-130: 3.54" (90mm)
WS-240 WS-300: 4.6" (117mm)
- Material: Die-Cast Aluminum, Tempered Glass
- Weight: 29.5lbs (With Power Supply / Standard 0-10V)

Mounting

- Surface Mount
- Stem 2ft, 4ft
- Adjustable Aircraft Cable 4ft, 8ft, 10ft
- Uplight Stem 2ft or 4ft

Warranty

- 5 years limited warranty.

Listing

- UL Wet Location Listed
- DLC Listed
- IP65
- FCC
- CE



Not all Whiz are DLC qualified. For all qualified products. Please visit: www.designlights.org/qpl

Whiz - Outdoor/Natorium Rating



How To Specify:

Ordering Example: WS-240-507-UNV-STV-60-WHT-ST2-WG-OUT

4-5 weeks lead time on over 75% of specifications.

| Model | Wattage | CCT / CRI | Voltage | Dimming |
|---------------------------------|--|--|--|---------------------------------------|
| <input type="text" value="WS"/> | <input type="text"/> | <input type="text"/> | <input type="text"/> | <input type="text"/> |
| WS Whiz | 90 90W 130 130W 240 240W 300 300W | 308 3000K / CRI85 408 4000K / CRI85 507 5000K / CRI75 309 3000K / CRI93 | UNV 120-277V HVT 347-480V | STV Standard 0-10V dims to 10% |

| Beam Angle | Finish | Mounting | Accessories | Rating |
|--|--------------------------------------|---|--|---|
| <input type="text"/> | <input type="text"/> | <input type="text"/> | <input type="text"/> | <input type="text"/> |
| 15 15° 30 30° 60 60° WD* 100° (with diffuser) | BLK Black WHT White | SUM Surface Mount ST2 Stem 2ft ST4 Stem 4ft AD4 Adjustable Cable 4ft AD8 Adjustable Cable 8ft AD10 Adjustable Cable 10ft UP2 Uplight Stem 2ft UP4 Uplight Stem 4ft | WG¹ Wire Guard DF² Diffuser | OUT¹ Outdoor Rating NAT² Natatorium Rating |

*Please factor in change in lumen output with diffuser (-20% with WD; -12% with other degrees).

¹ Please factor in change in lumen output of -14%.

² Please factor in change in lumen output with diffuser (-20% with WD; -12% with other degrees).

¹ Outdoor rating: Coating and wiring will be changed to high UV resistant and corrosion resistant materials for long term operation in outdoor environments.

² Natatorium rating: Coating and sealant will be changed to high corrosion resistant materials to prevent damage from long term exposure to chlorine vapors.

DesignLights Consortium™ Qualified Luminaires:

DLC QPL Model Number : WS-130-57K, WS-240-50K, WS-300-50K
 Not all product variations listed on this page are DLC qualified.
 To ensure that a specific model is qualified, visit www.designlights.org/search.

Whiz - Outdoor/Natatorium Rating



Delivered Lumens*

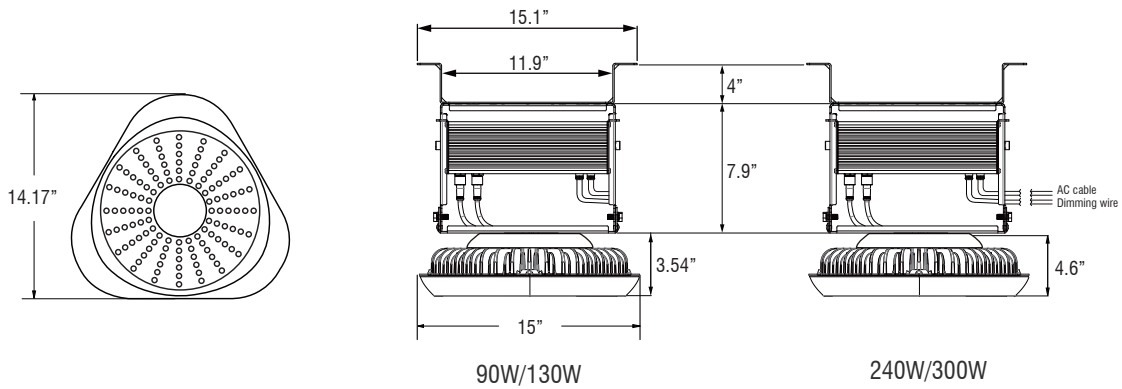
*Tolerance ±8%

| Wattage | 90W | 130W | 240W | 300W |
|-----------------|---------|----------|----------|----------|
| Beam Angle: 15° | | | | |
| CCT | | | | |
| 5000K | 9975 lm | 14280 lm | 28737 lm | 33475 lm |
| 4000K | 8393 lm | 12204 lm | 24075 lm | 28034 lm |
| 3000K | 8316 lm | 12091 lm | 22680 lm | 26215 lm |

Current Consumption

| Wattage | 120V | 277V |
|---------|-------|-------|
| 90W | 0.83A | 0.36A |
| 130W | 1.19A | 0.52A |
| 240W | 2.20A | 0.95A |
| 300W | 2.75A | 1.19A |

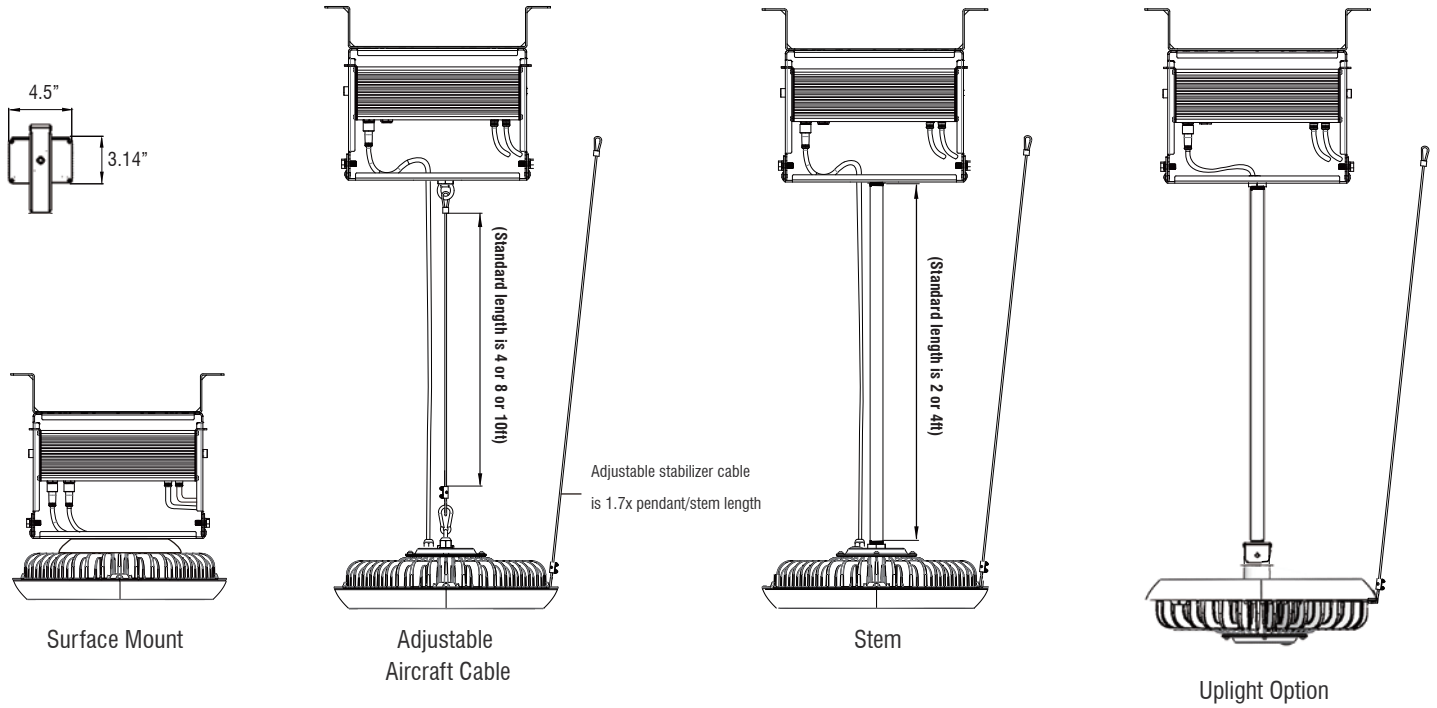
Dimensions



Whiz - Outdoor/Natatorium Rating



Mounting Options - STV with 1 power box



Wire Guard

